

INFLATING

FIRST NEVER FOLLOWS
italyco



IT105
HS CODE: 84242000

**Pistola gonfiaggio
professionale
Manometro diametro
80 mm e testina in
ottone**

**Professional inflation gun
pressure gauge diameter 80
and brass head**

**Pistolet de gonflage
professionnel manomètre
diamètre 80 et tete laiton**

TECHNICAL CHARACTERISTICS - TECHNICAL CHARACTERISTICS - CARATTERISTICHE TECNICHE

1	UGELLO DI GONFIAGGIO UNIVERSALE UNIVERSAL QUICK COUPLING RACCORD DE GONFLAGE UNIVERSEL	4	LUNGHEZZA TUBO 750 MM TUBE LENGTH 750 MM LONGUEUR DE TUBE 750 MM
2	CORPO IN ALLUMINIO ALUMINIUM BODY CORPS EN ALUMINIUM	5	RACCORDO RAPIDO UNIVERSALE UNIVERSAL QUICK COUPLING RACCORD RAPID UNIVERSEL
3	MANOMETRO DIAM 80MM GAUGE DIAM 80MM MANOMETRE DIAM 80 MM	6	GRANDE GRILLETTO BIG TRIMMER GRAND DÉCLENCHEUR

APPLICAZIONI - APPLICATIONS - APPLICATIONS



ART	CODE	EAN	BAR	DIM. MANOMETRO	BSP	PCS X PACK	PACK TYPE	KG	EURO
IT105	A000YB1200001	8055773343559	12	80mm	1/4" IRU	1	VRAC	0.6	

IT110
IT110 M
HS CODE: 84242000

**Pistola gonfiaggio
professionale
omologata Francia
86/217/ECC**

Professional inflation gun
Certified France
86/217/ECC

Pistolet de gonflage
professionnel
Omologation France
86/217/ECC

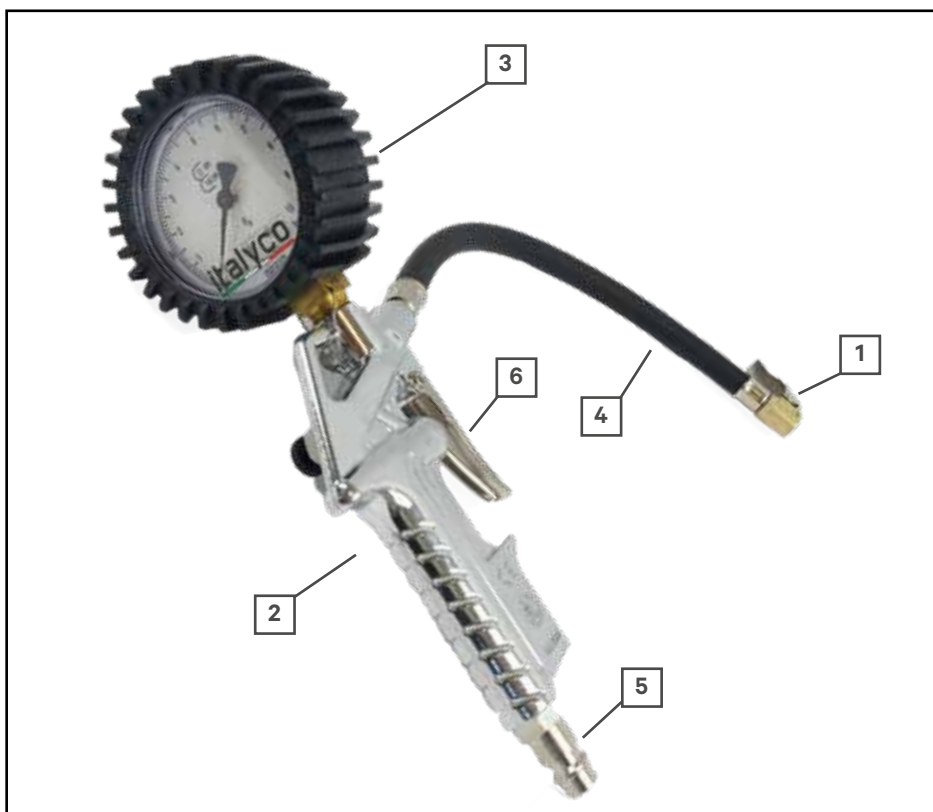


Foto puramente indicativa

TECHNICAL CHARACTERISTICS - TECHNICAL CHARACTERISTICS - CARATTERISTICHE TECNICHE

1	UGELLO DI GONFIAGGIO UNIVERSALE UNIVERSAL QUICK COUPLING RACCORD DE GONFLAGE UNIVERSEL	4	LUNGHEZZA TUBO 300MM TUBE LENGTH 300 MM LONGUEUR DE TUBE 300 MM
2	CORPO IN ALLUMINIO ALUMINIUM BODY CORPS EN ALUMINIUM	5	RACCORDO RAPIDO UNIVERSALE UNIVERSAL QUICK COUPLING RACCORD RAPID UNIVERSEL
3	MANOMETRO DIAM 80MM GAUGE DIAM 80MM MANOMETRE DIAM 80 MM	6	GRANDE GRILLETTO BIG TRIMMER GRAND DÉCLENCHEUR

APPLICAZIONI - APPLICATIONS - APPLICATIONS



ART	CODE	EAN	BAR	DIM. MANOMETRO	BSP	PCS X PACK	PACK TYPE	KG	EURO
IT110	A000YB0200001	8055773341098	12	63mm	1/4" IRU	1	VRAC	0.6	
IT110 M	A000YB1400001	8055773343573	12	63mm	1/4" IRU	5	MULTIBOX	3	

INFLATING

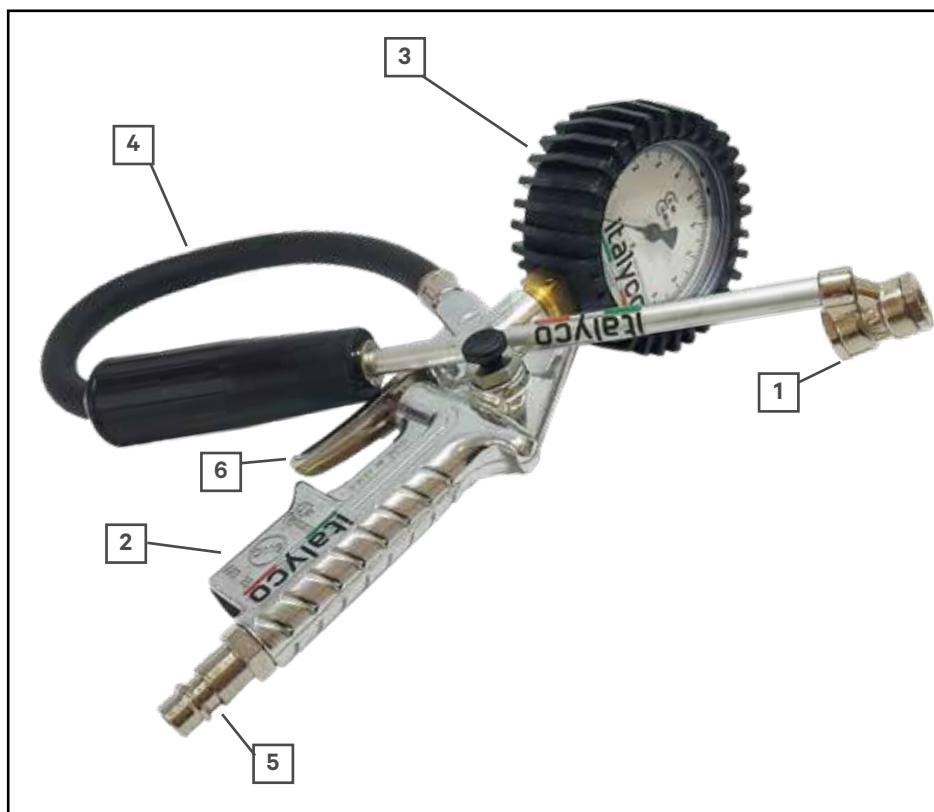
FIRST NEVER FOLLOWS
italyco

IT115
HS CODE: 84242000

**Pistola gonfiaggio
professionale
attacco per ruote
gemellari
lunghezza
tubo 750mm**

Professional inflation gun
connection for twin wheels
tube length 750mm

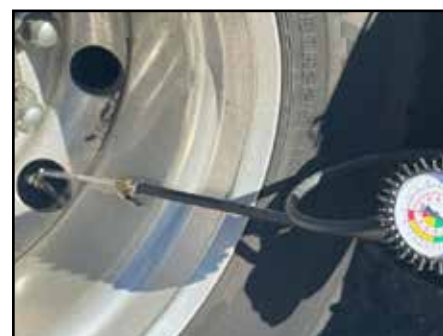
Pistolet de gonflage profes-
sionnel, connexion pour roues
jumelées, longueur de tube
750mm



TECHNICAL CHARACTERISTICS - TECHNICAL CHARACTERISTICS - CARATTERISTICHE TECNICHE

1	UGELLO DI GONFIAGGIO UNIVERSALE UNIVERSAL QUICK COUPLING RACCORD DE GONFLAGE UNIVERSEL	4	LUNGHEZZA TUBO 750 MM TUBE LENGTH 750 MM LONGUEUR DE TUBE 750 MM
2	CORPO IN ALLUMINIO ALUMINIUM BODY CORPS EN ALUMINIUM	5	RACCORDO RAPIDO UNIVERSALE UNIVERSAL QUICK COUPLING RACCORD RAPID UNIVERSEL
3	MANOMETRO DIAM63 MM GAUGE DIAM 63 MM MANOMETRE DIAM 63 MM	6	GRANDE GRILLETTO BIG TRIMMER GRAND DÉCLENCHEUR

APPLICAZIONI - APPLICATIONS - APPLICATIONS



ART	CODE	EAN	BAR	DIM. MANOMETRO	BSP	PCS X PACK	PACK TYPE	KG	EURO
IT115	A000YB0400001	8055773341111	12	63 mm	1/4" IRU	1	VRAC	0.7	

IT120
IT120 M
HS CODE: 90262040

Manometro di verifica con pulsante di scarico, lunghezza tubo 300 mm (Auto - Moto - MTB valvola Shrader)

Check pressure gauge with drain button, hose length 300 mm (Cars - Motorcycles - MTB Shrader valve)

Manomètre de contrôle avec bouton de vidange, laiton longueur 300 mm (Voitures - Motos - VTT valve Shrader)



Foto puramente indicativa

TECHNICAL CHARACTERISTICS - TECHNICAL CHARACTERISTICS - CARATTERISTICHE TECNICHE

1	UGELLO DI GONFIAGGIO UNIVERSALE UNIVERSAL QUICK COUPLING RACCORD DE GONFLAGE UNIVERSEL	4	LUNGHEZZA TUBO 300 MM TUBE LENGTH 300 MM LONGUEUR DE TUBE 300 MM
2	PULSANTE SCARICO ARIA BOTTON FOR AIR DISCHARGE BOUTON D'ÉVACUATION DES CONDENSATS	5	PROTEZIONE MANOMETRO IN GOMMA RUBBER PRESSURE GAUGE PROTECTION PROTECTION DE MANOMÈTRE EN CAOUTCHOUC
3	MANOMETRO DIAM 63 MM GAUGE DIAM 63 MM MANOMETRE DIAM 63 MM		

APPLICAZIONI - APPLICATIONS - APPLICATIONS



ART	CODE	EAN	BAR	PSI	DIM. MANOMETRO	BSP	PCS X PACK	PACK TYPE	KG	EURO
IT120	A000YB0500001	8055773341128	12	174	63mm	1/4" IRU	1	VRAC	0.25	
IT120 M	A000YB1700001	8055773343603	12	174	63mm	1/4" IRU	10	MULTIBOX	2.5	

INFLATING

italyco FIRST NEVER FOLLOWS

IT125
IT125 M
HS CODE: 84242000

**Pistola gonfiaggio
professionale
manometro
diametro 63 mm**

Professional inflation
gun pressure gauge
diameter 63 and
brass head

Pistolet de gonflage
professionnel
manomètre diamètre 63
et tete laiton



TECHNICAL CHARACTERISTICS - TECHNICAL CHARACTERISTICS - CARATTERISTICHE TECNICHE

1	UGELLO DI GONFIAGGIO UNIVERSALE UNIVERSAL QUICK COUPLING RACCORD DE GONFLAGE UNIVERSEL	4	LUNGHEZZA TUBO 300 MM TUBE LENGTH 300 MM LONGUEUR DE TUBE 300 MM
2	CORPO IN ALLUMINIO ALUMINIUM BODY CORPS EN ALUMINIUM	5	RACCORDO RAPIDO UNIVERSALE UNIVERSAL QUICK COUPLING RACCORD RAPID UNIVERSEL
3	MANOMETRO DIAM 63 MM GAUGE DIAM 63 MM MANOMETRE DIAM 63 MM	6	GRANDE GRILLETTO BIG TRIMMER GRAND DÉCLENCEUR

MULTIBOX



Foto puramente indicativa

APPLICAZIONI - APPLICATIONS - APPLICATIONS



ART	CODE	EAN	BAR	DIM. MANOMETRO	BSP	PCS X PACK	PACK TYPE	KG	EURO
IT125	A000YB1100001	8055773343542	12	63mm	1/4" IRU	1	VRAC	0.5	
IT125 M	A000YB1700001	8055773343603	12	63mm	1/4" IRU	6	MULTIBOX	3	

IT130
IT130 M
HS CODE: 84242000

**Pistola gonfiaggio
palloni**

Balloon inflation gun

Pistolet de gonflage de ballon



Foto puramente indicativa

TECHNICAL CHARACTERISTICS - TECHNICAL CHARACTERISTICS - CARATTERISTICHE TECNICHE

1	UGELLO DI GONFIAGGIO UNIVERSALE UNIVERSAL QUICK COUPLING RACCORD DE GONFLAGE UNIVERSEL	4	LUNGHEZZA TUBO 300 MM TUBE LENGTH 300 MM LONGUEUR DE TUBE 300 MM
2	PULSANTE SCARICO ARIA BOTTON FOR AIR DISCHARGE BOUTON D'ÉVACUATION DES CON- DENSATS	5	RACCORDO RAPIDO UNIVERSALE UNIVERSAL QUICK COUPLING RACCORD RAPID UNIVERSEL
3	MANOMETRO DIAM 63 MM GAUGE DIAM 63 MM MANOMETRE DIAM 63 MM	6	PROTEZIONE MANOMETRE IN GOMMA RUBBER PRESSURE GAUGE PROTECTION PROTECTION DE MANOMÈTRE EN CA- OUTCHOU

APPLICAZIONI - APPLICATIONS - APPLICATIONS



ART	CODE	EAN	BAR	DIM. MANOMETRO	BSP	PCS X PACK	PACK TYPE	KG	EURO
IT130	A000YB0700001	8055773341142	12	63mm	1/4" IRU	1	VRAC	0.55	
IT130 M	A000YB0700001	8055773341142	12	63mm	1/4" IRU	10	MULTIBOX	5,5	

INFLATING

FIRST NEVER FOLLOWS
italyco

IT135
IT135 M
HS CODE: 84242000

**Pistola gonfiaggio
cicli da corsa
(incluso valvole
Presta)**

Race bike inflation gun
(including Presta valves)

Pistolet de gonflage à cycle
(y compris valves Presta)



TECHNICAL CHARACTERISTICS - TECHNICAL CHARACTERISTICS - CARATTERISTICHE TECNICHE

1	UGELLO DI GONFIAGGIO DEDICATO A CICLI IN OTTONE BRASS DEDICATED BIKE COUPLING RACCORD DE GONFLAGE VELO EN LAITON	4	LUNGHEZZA TUBO 300 MM TUBE LENGTH 300 MM LONGUEUR DE TUBE 300 MM
2	PULSANTE SCARICO ARIA BOTTON FOR AIR DISCHARGE BOUTON D'ÉVACUATION DES CONDENSATS	5	RACCORDO RAPIDO UNIVERSALE UNIVERSAL QUICK COUPLING RACCORD RAPID UNIVERSEL
3	MANOMETRO DIAM 63 MM GAUGE DIAM 63 MM MANOMETRE DIAM 63 MM	6	CORPO IN ALLUMINIO ALUMINIUM BODY CORPS EN ALUMINIUM

MULTIBOX



Foto puramente indicativa

APPLICAZIONI - APPLICATIONS - APPLICATIONS



ART	CODE	EAN	BAR	DIM. MANOMETRO	BSP	PCS X PACK	PACK TYPE	KG	EURO
IT135	A000YB0600001	8055773341135	12	63mm	1/4" IRU	1	VRAC	0,55	
IT135 M	A000YB0600001	8055773341135	12	63mm	1/4" IRU	10	MULTIBOX	5,5	

IT140
HS CODE: 84818099

**Valvola gonfiaggio
 ruote gemellate
 senza manico**

**Twin wheel inflation
 valve without handle**

**Valve de gonflage à double
 roue sans poignée**



TECHNICAL CHARACTERISTICS - TECHNICAL CHARACTERISTICS - CARATTERISTICHE TECNICHE

1	VALVOLA GONFIAGGIO RUOTE GEMELLATE INFLATING VALVE FOR TWINS TYRES VALVE DE GONFLAGE À DEUX ROUES
2	CORPO IN ALLUMINIO ALUMINIUM BODY CORPS EN ALUMINIUM

APPLICAZIONI - APPLICATIONS - APPLICATIONS



ART	CODE	EAN	BAR	PSI	DIM. MANOMETRO	BSP	PCS X PACK	PACK TYPE	KG	EURO
IT140	A000YB0900001	8055773341159	12	174	N.A.	1/4" IRU	1	VRAC	0.1	

INFLATING

italyco FIRST NEVER FOLLOWS

IT145

HS CODE: 84818099

Valvola gonfiaggio ruote gemellate con manico

Twin wheel inflation valve with handle

Valve de gonflage à double roue avec poignée



TECHNICAL CHARACTERISTICS - TECHNICAL CHARACTERISTICS - CARATTERISTICHE TECNICHE

1	VALVOLA GONFIAGGIO RUOTE GEMELLATE INFLATING VALVE FOR TWINS TYRES VALVE DE GONFLAGE À DEUX ROUES
2	COMPLETO CON MANICO COMPLETE WITH HANDLE COMPLET AVEC POIGNÉE
3	CORPO IN ALLUMINIO ALUMINIUM BODY CORPS EN ALUMINIUM

APPLICAZIONI - APPLICATIONS - APPLICATIONS



ART	CODE	EAN	BAR	PSI	DIM. MANOMETRO	BSP	PCS X PACK	PACK TYPE	KG	EURO
IT145	A000YB0800001	8055773341159	12	174	63mm	1/4" IRU	1	VRAC	0.100	

IT150
IT150 M
HS CODE: 84811099

Testina gonfiaggio valvola Presta (bici corsa)

Presta valve inflation head
(road bike)

Tête de gonflage à valve Presta
(vélo de route)



MULTIBOX



Foto puramente indicativa

TECHNICAL CHARACTERISTICS - TECHNICAL CHARACTERISTICS - CARATTERISTICHE TECNICHE

1	TESTINA GONFIAGGIO PER CICLO DA CORSA INFLATION HEAD FOR RACING CYCLES TÊTE DE GONFLAGE POUR VÉLOS DE COURSE
2	FILETTO PER ATTACCO PISTOLA GONFIAGGIO THREAD FOR INFLATING GUN ATTACHMENT FILETAGE POUR POIGNE GONFLAGE

APPLICAZIONI - APPLICATIONS - APPLICATIONS



ART	CODE	EAN	BAR	BSP	PCS X PACK	PACK TYPE	KG	EURO
IT150	A000YC1000001	8055773341180	12	1/4" IRU	1	VRAC	0.01	
IT150 M	A000YC1000001	8055773341180	12	1/4" IRU	20	MULTIBOX	0.2	

INFLATING

italyco FIRST NEVER FOLLOWS

IT155
IT155 M
HS CODE: 84811099

Testina gonfiaggio palloni

Balloon inflation head

Tête de gonflage du ballon



TECHNICAL CHARACTERISTICS - TECHNICAL CHARACTERISTICS - CARATTERISTICHE TECNICHE

1	TESTINA GONFIAGGIO PALLONI BALLOON INFLATION GUN TETE DE GONFLAGE DU BALLON
2	FILETTO PER ATTACCO PISTOLA GONFIAGGIO THREAD FOR INFLATING GUN ATTACHMENT FILETAGE POUR POIGNE' GONFLAGE

MULTIBOX



Foto puramente indicativa

APPLICAZIONI - APPLICATIONS - APPLICATIONS



ART	CODE	EAN	BAR	BSP	PCS X PACK	PACK TYPE	KG	EURO
IT155	A000YC0200001	8055773341197	6	1/4" IRU	1	VRAC	0.01	
IT155 M	A000YC0200001	8055773341197	6	1/4" IRU	20	MULTIBOX	0.2	

IT160
IT160 M
HS CODE: 84811099

**Testina gonfiaggio
gonfiabili
(salvagenti ecc.)**

Inflatable head (swimming
pools, dinghies, etc.)

Tête gonflable (piscines, ca-
nots, etc.)



MULTIBOX

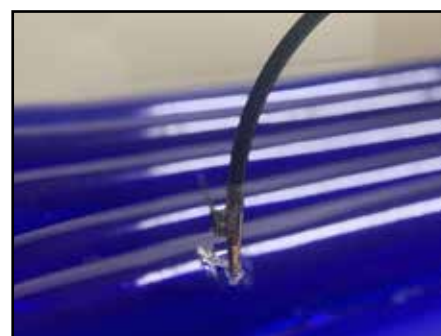


Foto puramente indicativa

TECHNICAL CHARACTERISTICS - TECHNICAL CHARACTERISTICS - CARATTERISTICHE TECNICHE

1	TESTINA GONFIAGGIO PER CANOTTI INFLATING HEAD FOR RUBBER BOATS TÊTE DE GONFLAGE GONFLABLE
2	FILETTO PER ATTACCO PISTOLA GONFIAGGIO THREAD FOR INFLATING GUN ATTACHMENT FILETAGE POUR POIGNE GONFLAGE

APPLICAZIONI - APPLICATIONS - APPLICATIONS



ART	CODE	EAN	BAR	PSI	BSP	PCS X PACK	PACK TYPE	KG	EURO
IT160	A000YC0300001	8055773341203	4	60	1/4" IRU	1	VRAC	0.01	
IT160 M	A000YC0300001	8055773341203	4	60	1/4" IRU	20	MULTIBOX	0.2	

INFLATING

IT170
IT170 M
HS CODE: 84818099

Valvola gonfiaggio in ottone

Bike Inflation valve in brass

Valve de gonflage Velo en
laiton



TECHNICAL CHARACTERISTICS - TECHNICAL CHARACTERISTICS - CARATTERISTICHE TECNICHE

1	TESTINA GONFIAGGIO PALLONI BALLOON INFLATION GUN TETE DE GONFLAGE DU BALLON
2	FILETTO PER ATTACCO PISTOLA GONFIAGGIO THREAD FOR INFLATING GUN ATTACHMENT FILETAGE POUR POIGNE' GONFLAGE

MULTIBOX



Foto puramente indicativa

APPLICAZIONI - APPLICATIONS - APPLICATIONS



ART	CODE	EAN	BAR	BSP	PCS X PACK	PACK TYPE	KG	EURO
IT170	A000YC0500001	8055773341227	4	1/4" IRU	1	VRAC	0.01	
IT170 M	A000YC0500001	8055773341227	4	1/4" IRU	20	MULTIPACK	0.2	

IT165
IT165 M
HS CODE: 84811099

**Kit 3 testine
gonfiaggio
(palloni+cicli+
gonfiabili)**

**Kit 3 inflation heads
(Balloons + Cycles +
inflatables)**

**Kit 3 têtes de gonflage (Ballons
+ Cycles + gonflables)**



Foto puramente indicativa

TECHNICAL CHARACTERISTICS - TECHNICAL CHARACTERISTICS - CARATTERISTICHE TECNICHE

1	TESTINA GONFIAGGIO PER PALLONE BALLOON INFLATION HEAD TÊTE DE GONFLAGE DE BALLON
2	TESTINA GONFIAGGIO PER CANOTTI INFLATING HEAD FOR RUBBER BOATS TÊTE DE GONFLAGE GONFLABLE
3	TESTINA GONFIAGGIO CICLI INFLATING HEAD CICLE TÊTE DE GONFLAGE PAR CYCLE

APPLICAZIONI - APPLICATIONS - APPLICATIONS



ART	CODE	EAN	BAR	PSI	BSP	PCS X PACK	PACK TYPE	KG	EURO
IT165	A000YC0400001	8055773341210	4	60	1/4" IRU	1	VRAC	0.03	
IT165 M	A000YC0400001	8055773341210	4	60	1/4" IRU	7	MULTIBOX	0.21	



02

BLOWING - SOFFIAGGIO - SOUFFLER

IT200
IT200 M
HS CODE: 84242000

Pistola soffiaggio

Inflating gun

Soufflette



Foto puramente indicativa

TECHNICAL CHARACTERISTICS - TECHNICAL CHARACTERISTICS - CARATTERISTICHE TECNICHE

1	BECCUCCIO 1/4 NOZZLE 1/4 BEC 1/4	4	GRANDE GRILLETTO BIG TRIMMER GRAND DÉCLENCHEUR
2	CORPO IN ALLUMINIO ALUMINIUM BODY CORPS EN ALUMINIUM	5	COMODO GANCIO USEFUL HOOK CROCHET UTILE
3	RACCORDO RAPIDO UNIVERSALE UNIVERSAL QUICK COUPLING RACCORD RAPID UNIVERSEL		

APPLICAZIONI - APPLICATIONS - APPLICATIONS



ART	CODE	EAN	l/min	BAR	BSP	PCS X PACK	PACK TYPE	KG	EURO
IT200	A000YC1300001	8055773341265	200	8	1/4"	1	VRAC	0.15	
IT200 M	A000YC1300001	8055773341265	200	8	1/4"	20	MULTIBOX	3	

BLOWING

italyco FIRST NEVER FOLLOWS

IT205
IT205 M
HS CODE: 84243010

**Pistola soffiaggio
effetto venturi**

Venturi effect blow gun

Soufflette à effet venturi



TECHNICAL CHARACTERISTICS - TECHNICAL CHARACTERISTICS - CARATTERISTICHE TECNICHE

1	BECCUCCIO EFFETTO VENTURI NOZZLE VENTURI BEC VENTURI	4	GRANDE GRILLETTO BIG TRIMMER GRAND DÉCLENCHEUR
2	CORPO IN ALLUMINIO ALUMINIUM BODY CORPS EN ALUMINIUM	5	COMODO GANCIO USEFUL HOOK CROCHET UTILE
3	RACCORDO RAPIDO UNIVERSALE UNIVERSAL QUICK COUPLING RACCORD RAPID UNIVERSEL		

MULTIBOX



Foto puramente indicativa

APPLICAZIONI - APPLICATIONS - APPLICATIONS



ART	CODE	EAN	l/min	BAR	BSP	PCS X PACK	PACK TYPE	KG	EURO
IT205	A000YC1400001	8055773341272	180	6	1/4" IRU	1	VRAC	0.175	
IT205 M	A000YC1400001	8055773341272	180	6	1/4" IRU	20	MULTIBOX	3.5	

IT210
HS CODE: 84243010

**Pistola soffiaggio
 con canna a 90°
 lunga 190 mm (per
 stampi)**

**Blow gun with 90 °long
 barrel 190 mm (for
 molds)**

**Soufflette à 90 ° canon
 long 190 mm (pour moules)**



TECHNICAL CHARACTERISTICS - TECHNICAL CHARACTERISTICS - CARATTERISTICHE TECNICHE

1	CANNA PER STAMPI BENT NOZZLE BUSE COUDÉE	4	GRANDE GRILLETTO BIG TRIMMER GRAND DÉCLENCHEUR
2	CORPO IN ALLUMINIO ALUMINIUM BODY CORPS EN ALUMINIUM	5	COMODO GANCIO USEFUL HOOK CROCHET UTILE
3	RACCORDO RAPIDO UNIVERSALE UNIVERSAL QUICK COUPLING RACCORD RAPID UNIVERSEL		

APPLICAZIONI - APPLICATIONS - APPLICATIONS



ART	CODE	EAN	l/min	BAR	BSP	PCS X PACK	PACK TYPE	KG	EURO
IT210	A000YC1600001	8055773341296	180	6	1/4" IRU	1	VRAC	0.175	

IT215
HS CODE: 84243010

**Pistola soffiaggio
con canna lunga
190 mm**

**Blow gun with 190 mm
long barrel**

**Soufflette avec
canon long de 190 mm**



TECHNICAL CHARACTERISTICS - TECHNICAL CHARACTERISTICS - CARATTERISTICHE TECNICHE

1	LUNGHEZZA CANNA 190 MM NOZZLE LENGTH 190 MM LONGUEUR DE BUSE 190 MM	4	GRANDE GRILLETTO BIG TRIMMER GRAND DÉCLENCHEUR
2	CORPO IN ALLUMINIO ALUMINIUM BODY CORPS EN ALUMINIUM	5	COMODO GANCIO USEFUL HOOK CROCHET UTILE
3	RACCORDO RAPIDO UNIVERSALE UNIVERSAL QUICK COUPLING RACCORD RAPID UNIVERSEL		

APPLICAZIONI - APPLICATIONS - APPLICATIONS



ART	CODE	EAN	l/min	BAR	BSP	PCS X PACK	PACK TYPE	KG	EURO
IT215	A000YC1500001	8055773341289	180	6	1/4" IRU	1	VRAC	0.175	

IT220
IT220 M
HS CODE: 84243010

**Pistola soffiaggio
 apertura progressiva
 con canna a 20°
 lunga 110 mm**

**Progressive opening
 blow gun with 110 mm
 long barrel at 20°**

**Soufflette à ouverture
 progressive avec canon
 long de 110 mm à 20°**



TECHNICAL CHARACTERISTICS - TECHNICAL CHARACTERISTICS - CARATTERISTICHE TECNICHE

1	LUNGHEZZA CANNA 110 MM NOZZLE LENGTH 110 MM LONGUEUR DE BUSE 110 MM	4	GRANDE GRILLETTO BIG TRIMMER GRAND DÉCLENCHEUR
2	CORPO IN PLASTICA PLASTIC BODY CORPS EN PLASTIQUE	5	COMODO GANCIO USEFUL HOOK CROCHET UTILE
3	RACCORDO RAPIDO UNIVERSALE UNIVERSAL QUICK COUPLING RACCORD RAPID UNIVERSEL		

APPLICAZIONI - APPLICATIONS - APPLICATIONS



ART	CODE	EAN	l/min	BAR	BSP	PCS X PACK	PACK TYPE	KG	EURO
IT220	A000YC1700001	8055773341302	260	6	1/4" IRU	1	VRAC	0.15	
IT220 M	A000YC1700001	8055773341302	260	6	1/4" IRU	1	VRAC	0.15	



FIRST NEVER PRESSURE
italyco

italyco

MADE IN ITALY



CE

03

CLEANING - PULIRE - NETTOYAGE

IT300
HS CODE: 84243010

**Pistola lavaggio
 tazza inferiore 1kg**

**Lower cup washing gun
 1kg**

**Pistolet de lavage
 tasse inférieure 1kg**



TECHNICAL CHARACTERISTICS - TECHNICAL CHARACTERISTICS - CARATTERISTICHE TECNICHE

1	CORPO IN ALLUMINIO ALUMINIUM BODY CORPS EN ALUMINIUM	4	GRANDE GRILLETTO BIG TRIMMER GRAND DÉCLENCHEUR
2	COPERCHIO TAZZA IN ALLUMINIO TOP ALL IN ALUMINIUM COUVERCLE DE GOBELET EN ALUMINIUM	5	COMODO GANCIO USEFUL HOOK CROCHET UTILE
3	RACCORDO RAPIDO UNIVERSALE UNIVERSAL QUICK COUPLING RACCORD RAPID UNIVERSEL	6	REGOLAZIONE DI USCITA OUTPUT REGULATION REGULATION DE SORTIE

APPLICAZIONI - APPLICATIONS - APPLICATIONS



ART	CODE	EAN	l/min	BAR	BSP	PCS X PACK	PACK TYPE	KG	EURO
IT300	A000YC0900001	8055773341319	200	6	1/4" IRU	1	VRAC	0.5	

IT305
HS CODE: 84243010

**Pistola Aria/Acqua
tazza inferiore 1kg**

**Air Water Gun lower
cup 1kg**

**Pistolet air/eau godet inférieur
1kg**



TECHNICAL CHARACTERISTICS - TECHNICAL CHARACTERISTICS - CARATTERISTICHE TECNICHE

1	CORPO IN ALLUMINIO ALUMINIUM BODY CORPS EN ALUMINIUM	4	RACCORDO RAPIDO UNIVERSALE UNIVERSAL QUICK COUPLING RACCORD RAPID UNIVERSEL
2	TAZZA IN ALLUMINIO CUP IN ALUMINIUM GOBELET EN ALUMINIUM	5	GRANDE GRILLETTO BIG TRIMMER GRAND DÉCLENCHEUR
3	REGOLAZIONE DI USCITA OUTPUT REGULATION REGULATION DE SORTIE	6	COMODO GANCIO USEFULL HOOK CROCHETE UTILE

APPLICAZIONI - APPLICATIONS - APPLICATIONS



ART	CODE	EAN	l/min	BAR	BSP	PCS X PACK	PACK TYPE	KG	EURO
IT305	A000YC0100001	8055773341234	200	6	1/4" IRU	1	VRAC	0.5	

IT310
HS CODE: 84243010

Pistola Aria/Acqua con attacco Garden

Air / Water gun with Garden connection

Pistolet Air/Eau avec connexion Jardin



TECHNICAL CHARACTERISTICS - TECHNICAL CHARACTERISTICS - CARATTERISTICHE TECNICHE

1	CORPO IN ALLUMINIO ALUMINIUM BODY CORPS EN ALUMINIUM	4	RACCORDO RAPIDO UNIVERSALE UNIVERSAL QUICK COUPLING RACCORD RAPID UNIVERSEL
2	ATTACCO TUBO GIARDINO GARDEN HOSE FITTING RACCORD DE TUYAU JARDIN	5	GRANDE GRILLETTO BIG TRIMMER GRAND DÉCLENCHEUR
3	REGOLAZIONE DI USCITA OUTPUT REGULATION REGULATION DE SORTIE	6	COMODO GANCIO USEFULL HOOK CROCHETE UTILE

APPLICAZIONI - APPLICATIONS - APPLICATIONS



ART	CODE	EAN	l/min	BAR	BSP	PCS X PACK	PACK TYPE	KG	EURO
IT310	A000YC0200001	8055773341241	200	6	1/4" IRU	1	VRAC	0.25	

CLEANING

italyco FIRST NEVER FOLLOWS

IT315
HS CODE: 84243010

Pistola Aria/Acqua
con attacco resca
12mm

Air / Water gun with
12mm barb attachment

Pistolet air/eau avec embout
cannelé de 12 mm



TECHNICAL CHARACTERISTICS - TECHNICAL CHARACTERISTICS - CARATTERISTICHE TECNICHE

1	CORPO IN ALLUMINIO ALUMINIUM BODY CORPS EN ALUMINIUM	4	RACCORDO RAPIDO UNIVERSALE UNIVERSAL QUICK COUPLING RACCORD RAPID UNIVERSEL
2	ATTACCO RESCA 1/2" HOSE FITTING 1/2" RACCORD BARBE 1/2"	5	GRANDE GRILLETTO BIG TRIMMER GRAND DÉCLENCHEUR
3	REGOLAZIONE DI USCITA OUTPUT REGULATION REGULATION DE SORTIE	6	COMODO GANCIO USEFULL HOOK CROCHETE UTILE

APPLICAZIONI - APPLICATIONS - APPLICATIONS



ART	CODE	EAN	l/min	BAR	BSP	PCS X PACK	PACK TYPE	KG	EURO
IT315	A000YC0300001	8055773341258	200	6	1/4" IRU	1	VRAC	0.25	



04

PAINTING - PITTURA - PEINTURE

italyco

IT400
HS CODE: 84242000

**Aerografo tazza inferiore 1kg
chiusura autoclave**

Painting lower cup 1kg
autoclave closure

Aérographe tasse inférieure
1kg fermeture autoclav



TECHNICAL CHARACTERISTICS - TECHNICAL CHARACTERISTICS - CARATTERISTICHE TECNICHE

1	CORPO IN ALLUMINIO ALUMINIUM BODY CORPS EN ALUMINIUM	4	REGOLAZIONE GETTO FLOW ADJUSTMENT REGLAGE DU JET
2	REGOLAZIONE VENTAGLIO VERNICIATURA PAINTING FAN ADJUSTMENT RÉGLAGE DU VENTILATEUR DE PEINTURE	5	CHIUSURA AUTOCLAVE AUTOCLAVE CLOSURE FERMETURE AUTOCLAV
3	RACCORDO RAPIDO UNIVERSALE UNIVERSAL QUICK COUPLING RACCORD RAPID UNIVERSEL	6	REGOLAZIONE EMISSIONE EMISSION REGULATION REGLEMENT DES EMISSIONS

APPLICAZIONI - APPLICATIONS - APPLICATIONS



ART	CODE	EAN	l/min	BAR	UGELLO	BSP	PCS X PACK	PACK TYPE	PESO KG	EURO
IT400	A000YA0100001	8055773341036	240	8	1,5 mm	1/4" IRU	1	VRAC	0.75	

IT405
HS CODE: 84242000

Aerografo tazza inferiore 1kg

Painting lower cup 1kg

Aérographe tasse inférieure 1kg



TECHNICAL CHARACTERISTICS - TECHNICAL CHARACTERISTICS - CARATTERISTICHE TECNICHE

1	CORPO IN ALLUMINIO ALUMINIUM BODY CORPS EN ALUMINIUM	4	UGELLO NOZZLE BUSE
2	REGOLAZIONE VENTAGLIO VERNICIATURA PAINTING FAN ADJUSTMENT RÉGLAGE DU VENTILATEUR DE PEINTURE	5	REGOLAZIONE EMISSIONE EMISSION REGULATION REGLMENT DES EMISSIONS
3	RACCORDO RAPIDO UNIVERSALE UNIVERSAL QUICK COUPLING RACCORD RAPID UNIVERSEL	6	REGOLAZIONE GETTO FLOW ADJUSTMENT REGLAGE DU JET

APPLICAZIONI - APPLICATIONS - APPLICATIONS



ART	CODE	EAN	l/min	BAR	UGELLO	BSP	PCS X PACK	PACK TYPE	PESO KG	EURO
IT405	A000YA0200001	8055773341043	240	8	1,5 mm	1/4" IRU	1	VRAC	0.65	

IT410
HS CODE: 84242000

Aerografo tazza superiore 0,5kg

Painting upper cup
0,5kg

Aérographe tasse
supérieure de 0,5 kg



TECHNICAL CHARACTERISTICS - TECHNICAL CHARACTERISTICS - CARATTERISTICHE TECNICHE

1	CORPO IN ALLUMINIO ALUMINIUM BODY CORPS EN ALUMINIUM	4	UGELLO NOZZLE BUSE
2	REGOLAZIONE VENTAGLIO VERNICIATURA PAINTING FAN ADJUSTMENT RÉGLAGE DU VENTILATEUR DE PEINTURE	5	REGOLAZIONE EMISSIONE EMISSION REGULATION REGLAMENT DES EMISSIONS
3	RACCORDO RAPIDO UNIVERSALE UNIVERSAL QUICK COUPLING RACCORD RAPID UNIVERSEL	6	REGOLAZIONE GETTO FLOW ADJUSTMENT REGLAGE DU JET

APPLICAZIONI - APPLICATIONS - APPLICATIONS



ART	CODE	EAN	l/min	BAR	UGELLO	BSP	PCS X PACK	PACK TYPE	PESO KG	EURO
IT410	A000YA0300001	8055773341050	240	8	1,5 mm	1/4" IRU	1	VRAC	0.55	

IT415
HS CODE: 84242000

Aerografo tazza inferiore 1kg

Painting lower cup 1kg

Aérographe tasse inférieure 1kg



TECHNICAL CHARACTERISTICS - TECHNICAL CHARACTERISTICS - CARATTERISTICHE TECNICHE

1	CORPO IN ALLUMINIO ALUMINIUM BODY CORPS EN ALUMINIUM	4	UGELLO NOZZLE BUSE
2	REGOLAZIONE VENTAGLIO VERNICIATURA PAINTING FAN ADJUSTMENT RÉGLAGE DU VENTILATEUR DE PEINTURE	5	REGOLAZIONE EMISSIONE EMISSION REGULATION REGLMENT DES EMISSIONS
3	RACCORDO RAPIDO UNIVERSALE UNIVERSAL QUICK COUPLING RACCORD RAPID UNIVERSEL	6	REGOLAZIONE GETTO FLOW ADJUSTMENT REGLAGE DU JET

APPLICAZIONI - APPLICATIONS - APPLICATIONS



ART	CODE	EAN	l/min	BAR	PSI	UGELLO	BSP	PCS X PACK	PACK TYPE	PESO KG	EURO
IT415	A000YA0400001	8055773341067	240	8	116	1,2 mm	1/4" IRU	1	VRAC	0.65	

IT420
HS CODE: 84242000

Aerografo tazza superiore 0,5kg

Painting upper cup
0,5kg

Aérographe tasse
supérieure de 0,5 kg



TECHNICAL CHARACTERISTICS - TECHNICAL CHARACTERISTICS - CARATTERISTICHE TECNICHE

1	CORPO IN ALLUMINIO ALUMINIUM BODY CORPS EN ALUMINIUM	4	UGELLO NOZZLE BUSE
2	REGOLAZIONE VENTAGLIO VERNICIATURA PAINTING FAN ADJUSTMENT RÉGLAGE DU VENTILATEUR DE PEINTURE	5	REGOLAZIONE EMISSIONE EMISSION REGULATION RÈGLEMENT DES EMISSIONS
3	RACCORDO RAPIDO UNIVERSALE UNIVERSAL QUICK COUPLING RACCORD RAPID UNIVERSEL	6	REGOLAZIONE GETTO FLOW ADJUSTMENT REGLAGE DU JET

APPLICAZIONI - APPLICATIONS - APPLICATIONS



ART	CODE	EAN	l/min	BAR	UGELLO	BSP	PCS X PACK	PACK TYPE	PESO KG	EURO
IT420	A000YA0500001	8055773341074	240	8	1,2 mm	1/4" IRU	1	VRAC	0.55	



05

SPECIAL APPLICATIONS



SPECIAL APPLICATIONS

italyco FIRST NEVER FOLLOWS

IT500
HS CODE: 84242000

**Pistola antirombo
 tazza inferiore 1kg**

**Anti-noise gun lower
 cup 1kg**

**Pistolet anti-bruit
 coupelle inférieure 1kg**



TECHNICAL CHARACTERISTICS - TECHNICAL CHARACTERISTICS - CARATTERISTICHE TECNICHE

1	CORPO IN ALLUMINIO ALUMINIUM BODY CORPS EN ALUMINIUM	4	COMODO GANCIO USEFUL HOOK CROCHET UTILE
2	SERBATOIO DA 1 KG TANK 1 KG TASSE 1 KG	5	GRANDE GRILLETTO BIG TRIMMER GRAND DÉCLENCHEUR
3	RACCORDO RAPIDO UNIVERSALE UNIVERSAL QUICK COUPLING RACCORD RAPID UNIVERSEL		

APPLICAZIONI - APPLICATIONS - APPLICATIONS



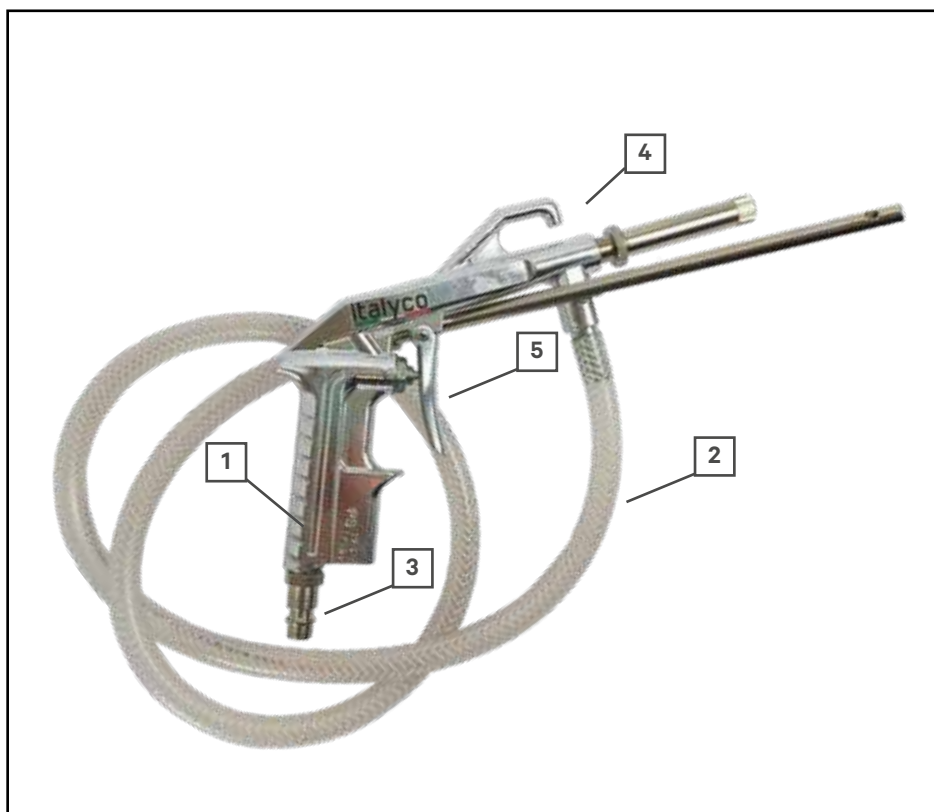
ART	CODE	EAN	l/min	BAR	BSP	PCS X PACK	PACK TYPE	PESO KG	EURO
IT500	A000YC1100001	8055773341326	200	6	1/4" IRU	1	VRAC	0.5	

IT505
HS CODE: 84242000

Pistola antirombo per scatolati (tubo flessibile)

Soundproofing gun for molded boxes (flexible hose)

Pistolet insonorisant pour caissons moulés (tuyau souple)



TECHNICAL CHARACTERISTICS - TECHNICAL CHARACTERISTICS - CARATTERISTICHE TECNICHE

1	CORPO IN ALLUMINIO ALUMINIUM BODY CORPS EN ALUMINIUM	4	COMODO GANCIO USEFUL HOOK CROCHET UTILE
2	TUBO FLESSIBILE FLEXIBLE HOSE TUYAU FLEXIBLE	5	GRANDE GRILLETTO BIG TRIMMER GRAND DÉCLENCHEUR
3	RACCORDO RAPIDO UNIVERSALE UNIVERSAL QUICK COUPLING RACCORD RAPID UNIVERSEL		

APPLICAZIONI - APPLICATIONS - APPLICATIONS



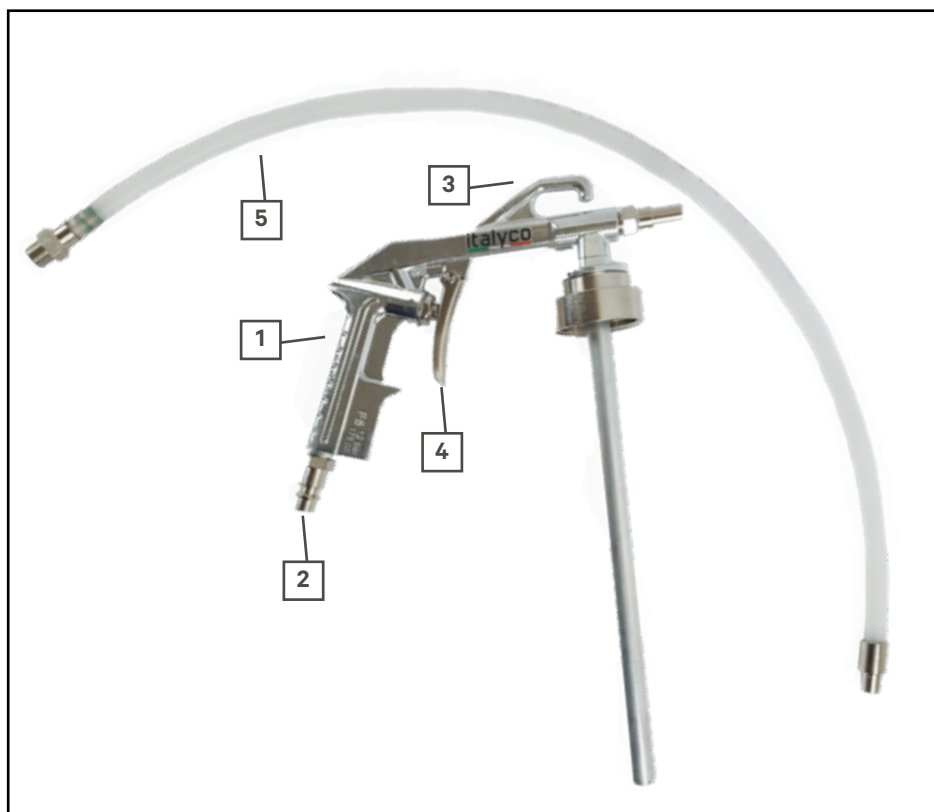
ART	CODE	EAN	l/min	BAR	BSP	PCS X PACK	PACK TYPE	PESO KG	EURO
IT505	A000YC1200001	8055773341333	200	6	1/4" IRU	1	VRAC	0.3	

IT510
HS CODE: 84242000

**Pistola per schiuma
puliuretana**

Polyurethane foam gun

Pistolet à mousse de
polyuréthane



TECHNICAL CHARACTERISTICS - TECHNICAL CHARACTERISTICS - CARATTERISTICHE TECNICHE

1	CORPO IN ALLUMINIO ALUMINIUM BODY CORPS EN ALUMINIUM	4	GRANDE GRILLETTO BIG TRIMMER GRAND DÉCLENCHEUR
2	RACCORDO RAPIDO UNIVERSALE UNIVERSAL QUICK COUPLING RACCORD RAPID UNIVERSEL	2	TUBO RILSAN RILSAN HOSE TUYAU RILSAN
3	COMODO GANCIO USEFUL HOOK CROCHET UTILE		

APPLICAZIONI - APPLICATIONS - APPLICATIONS



ART	CODE	EAN	l/min	BAR	BSP	PCS X PACK	PACK TYPE	PESO KG	EURO
IT510	A000YC0700001	8055773341364	250	6	1/4" IRU	1	VRAC	0.3	



06

MULTIPORPOSE - KIT ACCESSORI - KIT ACCESSOIRES

MULTIPORPOSE

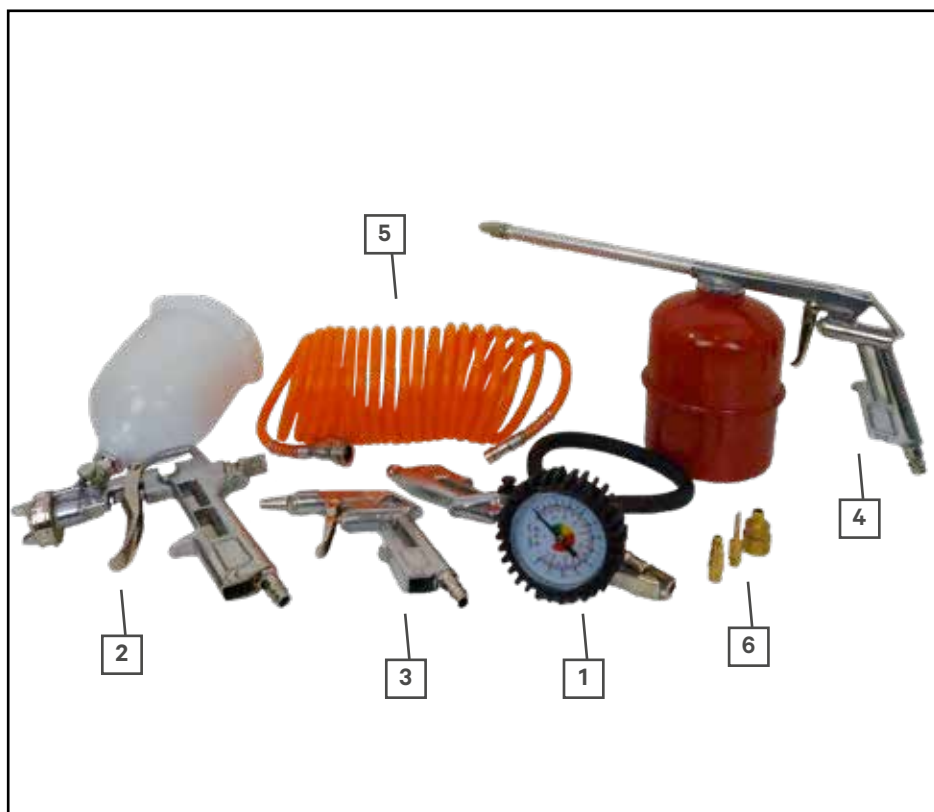
italyco FIRST NEVER FOLLOWS

IT600
HS CODE: 84242000

Kit 8 pezzi attacco
tedesco +
adattatore

Kit 8 pieces professional
air accessories

Kit accessoires
professionnelle 8 pieces



TECHNICAL CHARACTERISTICS - TECHNICAL CHARACTERISTICS - CARATTERISTICHE TECNICHE

1	PISTOLA GONFIAGOMME INFLATING GUN POIGNE' DE GONFLAGE	4	PISTOLA LAVAGGIO WASHING GUN PISTOLET DE LAVAGE
2	PISTOLA DI VERNICIATURA PAINTING GUN PISTOLET DE PEINTURE	5	TUBO SPIRALE MT 5 SPIRAL HOSE MT 5 TUYAU FLEXIBLE MT 5
3	PISTOLA ARIA AIR GUN SOUFFLETTE	6	KIT 3 ACCESSORI GONFIAGGIO KIT 3 NOZZLES KIT 3 AGUILLE

APPLICAZIONI - APPLICATIONS - APPLICATIONS



ART	CODE	EAN	l/min	BAR	BSP	PCS X PACK	PACK TYPE	PESO KG	EURO
IT600	A000YH0100001	8055773341340	200	8	1/4"	1	SPECIFIC BOX	5	

IT605
HS CODE: 84242000

Kit 5 pezzi

Kit 5 pcs air accessories

Kit accessoires 5 pieces



TECHNICAL CHARACTERISTICS - TECHNICAL CHARACTERISTICS - CARATTERISTICHE TECNICHE

1	PISTOLA GONFIAGOMME INFLATING GUN POIGNE' DE GONFLAGE	4	RACCORDO RAPIDO UNIVERSALE UNIVERSAL QUICK COUPLING RACCORD RAPID UNIVERSEL
2	TUBO SPIRALE MT 5 SPIRAL HOSE MT 5 TUYAU FLEXIBLE MT 5		
3	KIT 3 ACCESSORI GONFIAGGIO KIT 3 NOZZLES KIT 3 AGUILLE		

APPLICAZIONI - APPLICATIONS - APPLICATIONS



ART	CODE	EAN	l/min	BAR	BSP	PCS X PACK	PACK TYPE	PESO KG	EURO
IT605	A000YH0200001	8055773341357	200	8	1/4"	1	SPECIFIC BOX	3	



07

DISTRIBUTION - TUBI TUYAU - HOSES

IT700

HS CODE: 40091002

Arrotolatore 10metri

Hose reel 10 mt

Enrouleur 10 mt



TECHNICAL CHARACTERISTICS - TECHNICAL CHARACTERISTICS - CARATTERISTICHE TECNICHE

1	LUNGHEZZA TUBO 9 MT + 1 HOSE LENGTH 9 MT + 1 TOUYAU DE 9 MT + 1	4	RIAVVOLGITURA AUTOMATICA AUTOMATIC REWINDING REMBOBINAGE AUTOMATIQUE
2	CORPO IN PLASTICA ANTIURTO SHOCKPROOF PLASTIC BODY CORPS EN PLASTIQUE ANTICHOC	5	STAFFA FISSAGGIO MURO WALL FIXING BRACKET SUPPORT DE FIXATION MURAL
3	RACCORDO RAPIDO UNIVERSALE UNIVERSAL QUICK COUPLING RACCORD RAPID UNIVERSELM		

ART	CODE	EAN	l/min	BAR	DIMENSIONE TUBO	BSP	PCS X PACK	PACK TYPE	KG	EURO
IT700	A000YF0800001	8055773341449	200	12	8X6	1/4"	1	SINGOL BOX	2.5	

IT705
HS CODE: 40091002

Tube spirale
lunghezza 5 metri

Spiral hose 5 mt

Tuyau flexible 5 mètres

TECHNICAL CHARACTERISTICS
TECHNICAL CHARACTERISTICS
CARATTERISTICHE TECNICHE

1	TUBO SPIRALE SPIRAL HOSE TUYAU FLEXIBLE
2	RACCORDO RAPIDO UNIVERSALE UNIVERSAL QUICK COUPLING RACCORD RAPID UNIVERSEL



ART	CODE	EAN	MT	BAR	DIMENSIONE TUBO	BSP	PCS X PACK	PACK TYPE	KG	EURO
IT705	A000YF0100001	8055773341371	5	16	8X6	1/4"	1	VRAC	0.2	

IT710
HS CODE: 40091002

Tube spirale
lunghezza 10 metri

Spiral hose 10 mt

Tuyau flexible 10 mètres

TECHNICAL CHARACTERISTICS
TECHNICAL CHARACTERISTICS
CARATTERISTICHE TECNICHE

1	TUBO SPIRALE SPIRAL HOSE TUYAU FLEXIBLE
2	RACCORDO RAPIDO UNIVERSALE UNIVERSAL QUICK COUPLING RACCORD RAPID UNIVERSEL



ART	CODE	EAN	MT	BAR	DIMENSIONE TUBO	BSP	PCS X PACK	PACK TYPE	KG	EURO
IT7101	A000YF0200001	8055773341388	10	169	8X6	1/4"	1	VRAC	0.3	

IT706
HS CODE: 40091002

**5 MT tubo PVC
 retinato in matassa
 completo di attacchi
 RRU**

5 MT PVC wire mesh
 hose complete with
 RRU connections

5 MT Tuyau PVC en treillis
 avec raccords RRU

**TECHNICAL CHARACTERISTICS
 TECHNICAL CHARACTERISTICS
 CARATTERISTICHE TECNICHE**

1	TUBO PVC 5 MT 5 MT PVC HOSE TUYAU PVC 5 MT
2	RACCORDO RAPIDO UNIVERSALE UNIVERSAL QUICK COUPLING RACCORD RAPID UNIVERSEL



ART	CODE	EAN	MT	BAR	DIMENSIONE TUBO	BSP	PCS X PACK	PACK TYPE	KG	EURO
IT706	A000YF0300001	8055773341395	5	20	6X11	1/4"	1	VRAC	0.7	

IT707
HS CODE: 40091002

**7 MT tubo PVC
 retinato in matassa
 completo di attacchi
 RRU**

7 MT PVC wire mesh
 hose complete with
 RRU connections

7 MT Tuyau PVC en treillis
 avec raccords RRU

**TECHNICAL CHARACTERISTICS
 TECHNICAL CHARACTERISTICS
 CARATTERISTICHE TECNICHE**

1	TUBO PVC 7 MT 7 MT PVC HOSE TUYAU PVC 7 MT
2	RACCORDO RAPIDO UNIVERSALE UNIVERSAL QUICK COUPLING RACCORD RAPID UNIVERSEL



ART	CODE	EAN	MT	BAR	DIMENSIONE TUBO	BSP	PCS X PACK	PACK TYPE	KG	EURO
IT707	A000YF0400001	8055773341401	7	20	6X11	1/4"	1	VRAC	1	

DISTRIBUTION



IT711
HS CODE: 40091002
10 MT tubo PVC
retinato in matassa
completo di attacchi
RRU

10 MT PVC wire mesh
 hose complete with RRU
 connections

10 MT Tuyau PVC en
 treillis avec raccords RRU

TECHNICAL CHARACTERISTICS
 TECHNICAL CHARACTERISTICS
 CARATTERISTICHE TECNICHE

1	TUBO PVC 10 MT 10 MT PVC HOSE TUYAU PVC 10 MT
2	RACCORDO RAPIDO UNIVERSALE UNIVERSAL QUICK COUPLING RACCORD RAPID UNIVERSEL

ART	CODE	EAN	MT	BAR	DIMENSIONE TUBO	BSP	PCS X PACK	PACK TYPE	KG	EURO
IT711	A000YF0500001	8055773341418	10	20	8X13	1/4"	1	VRAC	1.2	



IT715
HS CODE: 40091002
15 MT tubo PVC
retinato in matassa
completo di attacchi
RRU

15 MT PVC wire mesh hose
 complete with RRU connections

15 MT Tuyau PVC
 en treillis avec raccords RRU

TECHNICAL CHARACTERISTICS
 TECHNICAL CHARACTERISTICS
 CARATTERISTICHE TECNICHE

1	TUBO PVC 15 MT 15 MT PVC HOSE TUYAU PVC 15 MT
2	RACCORDO RAPIDO UNIVERSALE UNIVERSAL QUICK COUPLING RACCORD RAPID UNIVERSEL

ART	CODE	EAN	MT	BAR	DIMENSIONE TUBO	BSP	PCS X PACK	PACK TYPE	KG	EURO
IT715	A000YF0600001	8055773341425	15	20	8X13	1/4"	1	VRAC	1.8	

IT720
HS CODE: 40091002
MT 20 tubo PVC
retinato in matassa
completo di attacchi
RRU

20 MT PVC wire mesh
 hose complete with
 RRU connections

20 MT Tuyau PVC en
 treillis avec raccords RRU

TECHNICAL CHARACTERISTICS
TECHNICAL CHARACTERISTICS
CARATTERISTICHE TECNICHE

1	TUBO PVC 20 MT 20 MT PVC HOSE TUYAU PVC 20 MT
2	RACCORDO RAPIDO UNIVERSALE UNIVERSAL QUICK COUPLING RACCORD RAPID UNIVERSEL



ART	CODE	EAN	MT	BAR	DIMENSIONE TUBO	BSP	PCS X PACK	PACK TYPE	KG	EURO
IT720	A000YF0700001	8055773341432	20	20	10X17	1/4"	1	VRAC	2.2	

IT1000
HS CODE: 40091002

Matassa tubo
gomma 100 MT diam

Rubber hose 100 MT diam

écheveau de tuyau en
 caoutchouc 100 mt diam

TECHNICAL CHARACTERISTICS
TECHNICAL CHARACTERISTICS
CARATTERISTICHE TECNICHE

1	TUBO GOMMA RUBBER HOSE TUYAU CAOUTCHOUC
---	---



ART	CODE	EAN	MT	BAR	DIMENSIONE TUBO	PACK TYPE	KG	EURO
IT1000	A000YF1000001	8055773341456	100	20	10X17	VRAC	12	



08

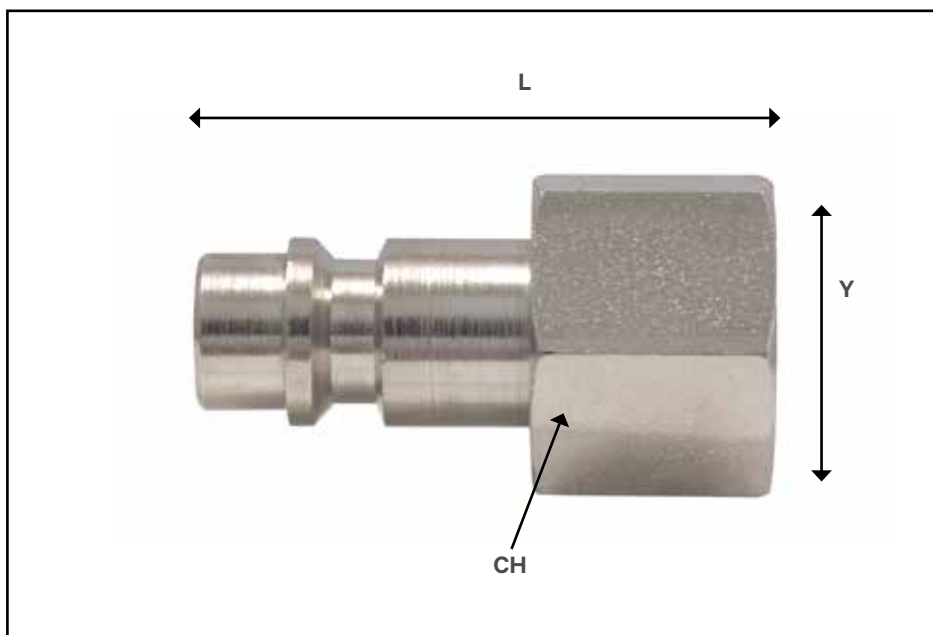
CONNECTIONS - RACCORDI - RACCORDS

IT800
IT801
IT802
HS CODE: 40091002

**Innesto rapido con
raccordo filettato
Femmina**

Female quick coupling

Raccord rapide femelle



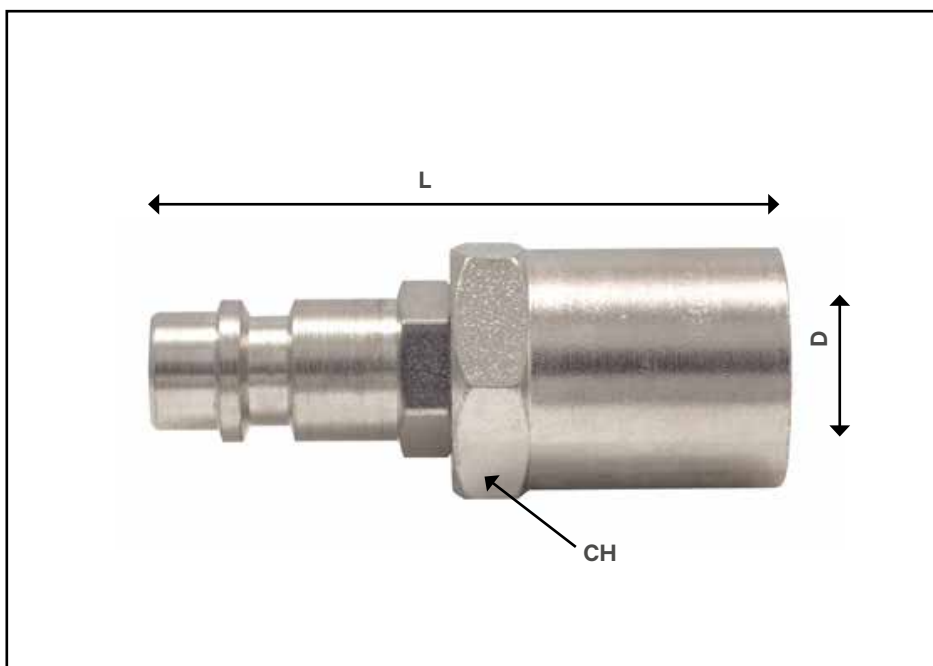
ART	CODE	EAN	CH	L	Y-BPS	PCS X PACK	PACK TYPE	KG	EURO
IT800	A000YD0800001	8055773340381	15	34,5	1/4"	20	MULTIBOX	0,025	
IT801	A000YD0900001	8055773340398	21	37,5	3/8"	20	MULTIBOX	0,030	
IT802	A000YD1000001	8055773340404	26	40	1/2"	20	MULTIBOX	0,035	

IT 805
IT 806
HS CODE: 40091002

**Innesto attacco
portagomma**

Hose nozzle
connection

Raccord de tuyau



ART	CODE	EAN	CH	L	D	B	PCS X PACK	PACK TYPE	KG	EURO
IT805	A000YD9000001	8055773344051	17	53	6x14	290	10	MULTIBOX	0,05	
IT806	A000YD9100001	8055773344068	20	54	8x17	290	10	MULTIBOX	0,05	

IT810
IT811
IT812
IT813
HS CODE: 40091002

Innesto attacco portagomma tubo

Coupling connection
hose hose

Raccord raccord tuyau
flexible

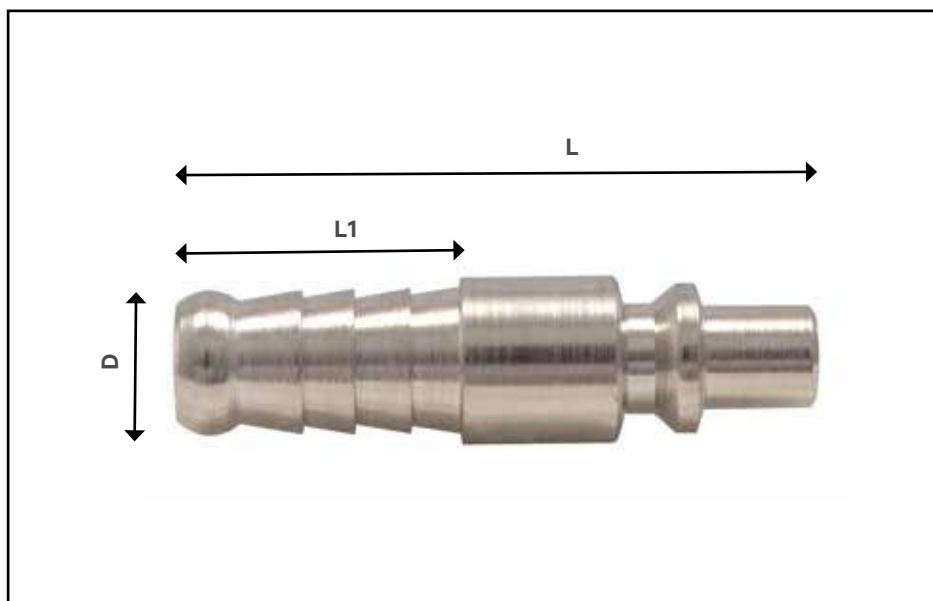


IT815
IT816
IT817
IT818
HS CODE: 40091002

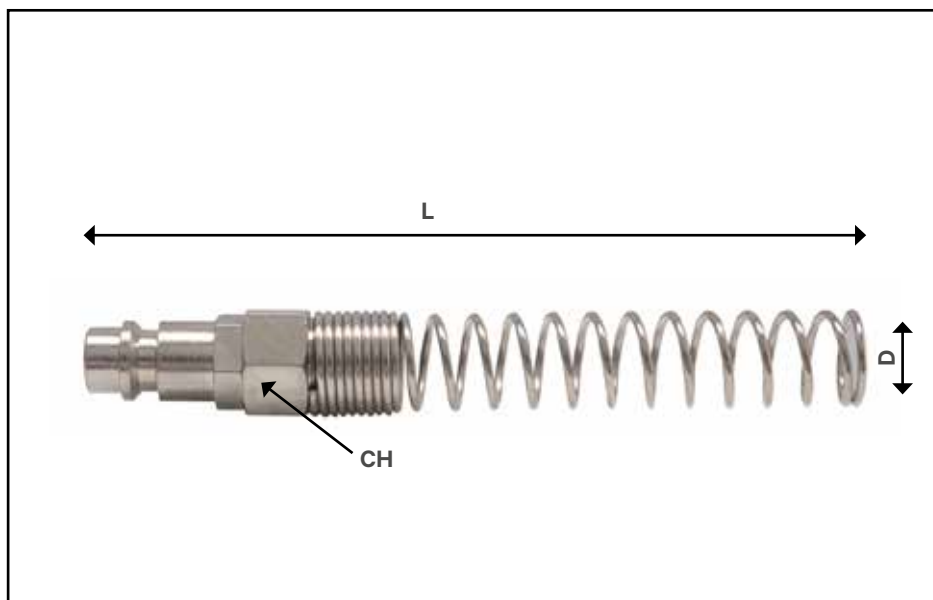
Innesto attacco per tubo spirale

Coupling connection for
spiral hose

Raccord de couplage pour
tuyau spiralé



ART	CODE	EAN	L	L1	D	PCS X PACK	PACK TYPE	KG	EURO
IT810	A000YD0300001	8055773340336	39,5	18	6	30	MULTIBOX	0,020	
IT811	A000YD0400001	8055773340343	39,5	18	8	30	MULTIBOX	0,020	
IT812	A000YD9400001	8055773344099	39,5	18	10	30	MULTIBOX	0,020	
IT813	A000YD9500001	8055773344105	39,5	18	12	30	MULTIBOX	0,020	



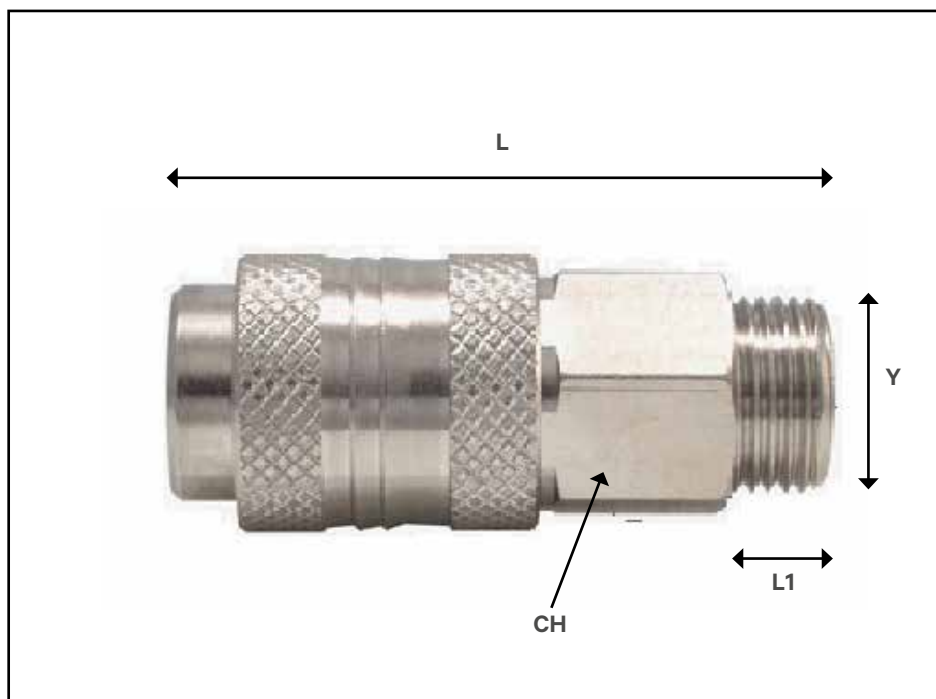
ART	CODE	EAN	CH	L	D	B	PCS X PACK	PACK TYPE	KG	EURO
IT815	A000YD9600001	8055773344112	12	111	4x6	232	10	MULTIBOX	0,05	
IT816	A000YD9700001	8055773344129	13	111	6x8	232	10	MULTIBOX	0,05	
IT817	A000YD9800001	8055773344136	15	111	8x10	232	10	MULTIBOX	0,05	
IT818	A000YD9900001	8055773344143	17	122	10x12	232	10	MULTIBOX	0,05	

IT820
IT821
IT822
HS CODE: 84811099

**Rubinetto rapido
Universale maschio**

Universal male quick tap

Robinet rapide mâle universel

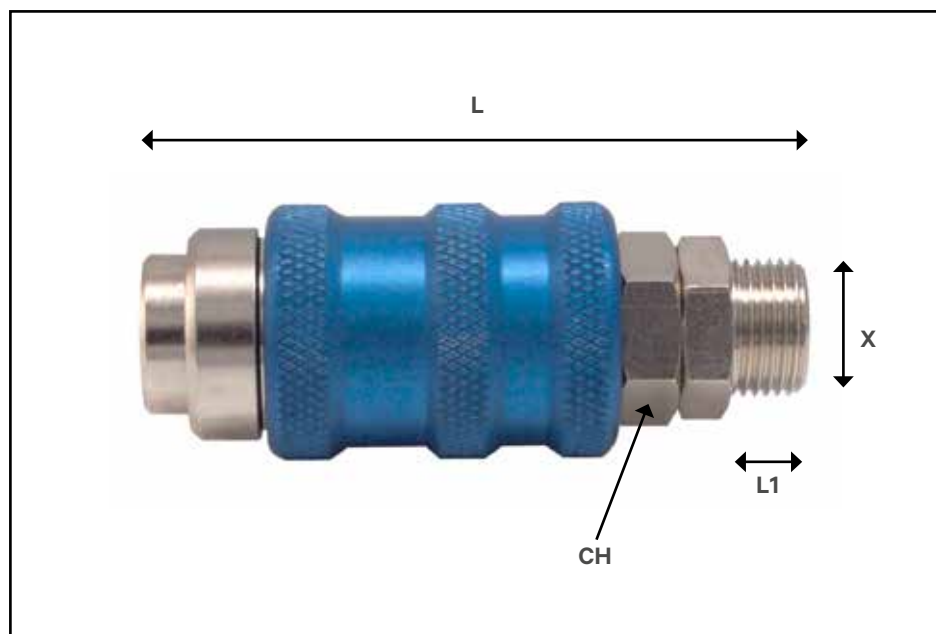


ART	CODE	EAN	CH	L	L1	D	X-BPS	PCS X PACK	PACK TYPE	KG	EURO
IT820	A000YD1100001	8055773340411	20	58	11	24	1/4"	15	MULTIBOX	0,080	
IT821	A000YD1200001	8055773340428	20	54	12	24	3/8"	15	MULTIBOX	0,085	
IT822	A000YD1300001	8055773340435	22	56,5	14	24	1/2"	15	MULTIBOX	0,090	

IT825
IT826
IT827
HS CODE: 84811099
**Rubinetto rapido
Universale maschio
con sicurezza**

Universal male quick tap
with safety

Robinet rapide universel mâle
avec sécurité



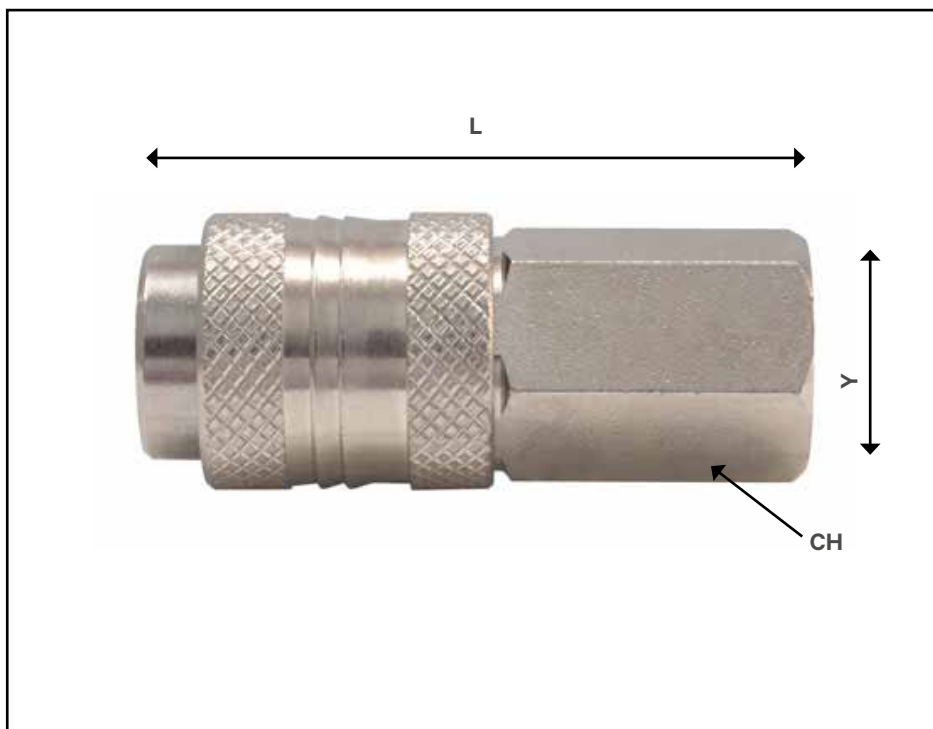
ART	CODE	EAN	CH	L	L1	D	X-BPS	PCS X PACK	PACK TYPE	KG	EURO
IT825	A000YD1400001	8055773340442	20	79,5	11	30	1/4"	5	MULTIBOX	0,10	
IT826	A000YD1500001	8055773340459	20	80	12	30	3/8"	5	MULTIBOX	0,11	
IT827	A000YD1600001	8055773340466	20	79,5	14	30	1/2"	5	MULTIBOX	0,12	

IT830
IT831
IT832
HS CODE: 84811099

Rubinetto rapido universale con attacco filetto femmina

Universal quick tap with female thread connection

Robinet rapide universel avec connexion filetée femelle



ART	CODE	EAN	CH	L	Y-BPS	PCS X PACK	PACK TYPE	KG	EURO
IT830	A000YD7600001	8055773343917	19	52,5	1/4"	10	MULTIBOX	0,09	
IT831	A000YD7700001	8055773343924	19	52,5	3/8"	10	MULTIBOX	0,09	
IT832	A000YD7800001	8055773343931	19	52,5	1/2"	10	MULTIBOX	0,10	

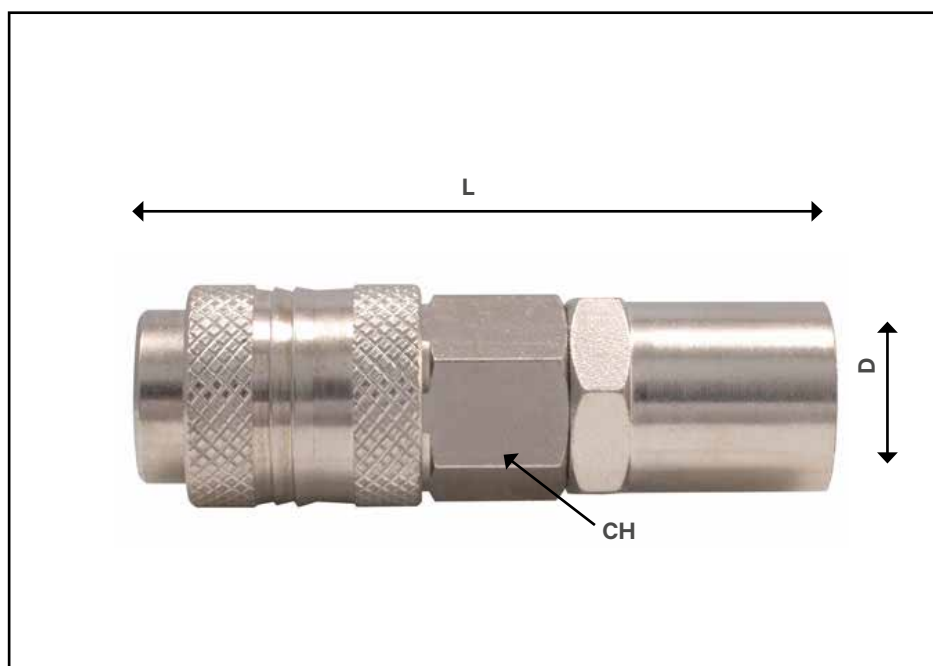


IT835
IT836
HS CODE: 84811099

Rubinetto rapido universale con attacco portagomma

Universal quick tap with hose connection

Robinet rapide universel avec raccord de tuyau



ART	CODE	EAN	CH	L	D	PCS X PACK	PACK TYPE	KG	EURO
IT835	A000YD7900001	8055773343948	19	70	6x14	5	MULTIBOX	0,1	
IT836	A000YD8000001	8055773343955	19	71,5	8x17	5	MULTIBOX	0,1	



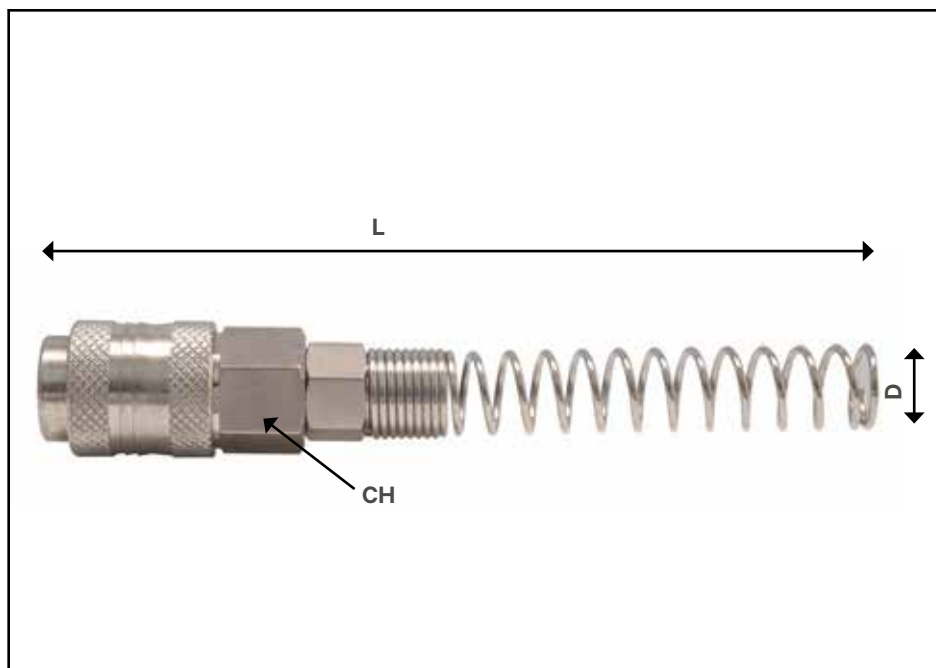
IT840
IT841
IT842
HS CODE: 84811099

Rubinetto rapido universale con attacco tubo

Universal quick tap with spiral hose connection

Robinet rapide universel avec raccord de tuyau spiralé

MULTIBOX



ART	CODE	EAN	CH	L	D	PCS X PACK	PACK TYPE	KG	EURO
IT840	A000YD8100001	8055773343962	19	140	6x8	5	MULTIBOX	0,13	
IT841	A000YD8200001	8055773343979	19	140	8x10	5	MULTIBOX	0,15	
IT842	A000YD8300001	8055773343986	19	140	10x12	5	MULTIBOX	0,15	

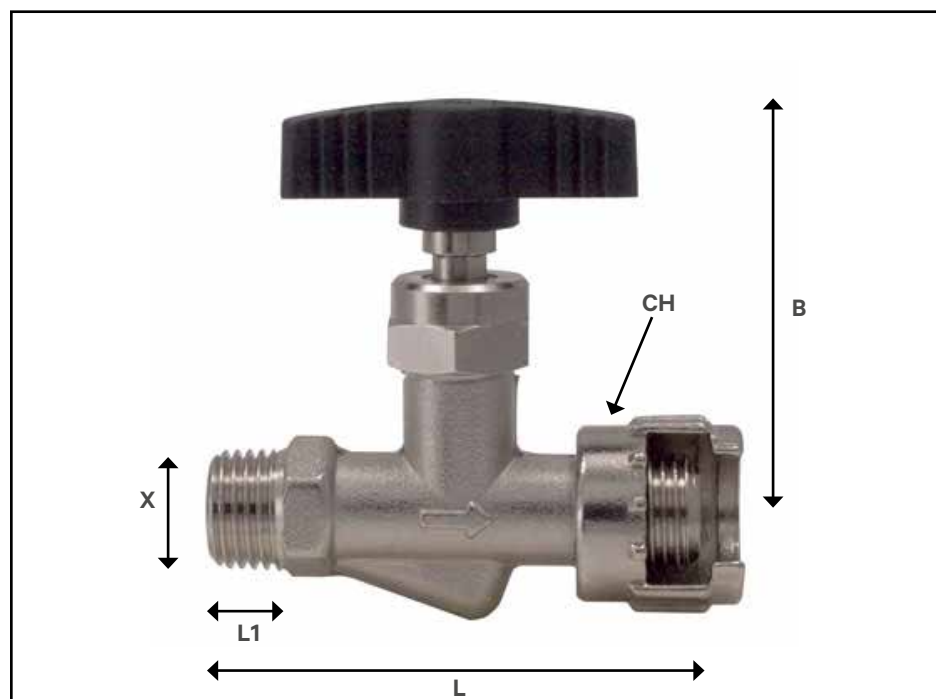
IT850
IT851
IT852
HS CODE: 84818081

Rubinetto di linea Maschio con attacco a baionetta

Male line tap with bayonet connection

Robinet de ligne mâle avec connexion à baïonnette

MULTIBOX



ART	CODE	EAN	CH	L	L1	B	X-BPS	PCS X PACK	PACK TYPE	KG	EURO
IT850	A000YD2100001	8055773340510	15	59	11,5	44,5	1/4"	VRAC	MULTIBOX	0,11	
IT851	A000YD2200001	8055773340527	22	63,5	13	44,5	3/8"	VRAC	MULTIBOX	0,12	
IT852	A000YD2300001	8055773340534	24	74	14	44,5	1/2"	VRAC	MULTIBOX	0,14	

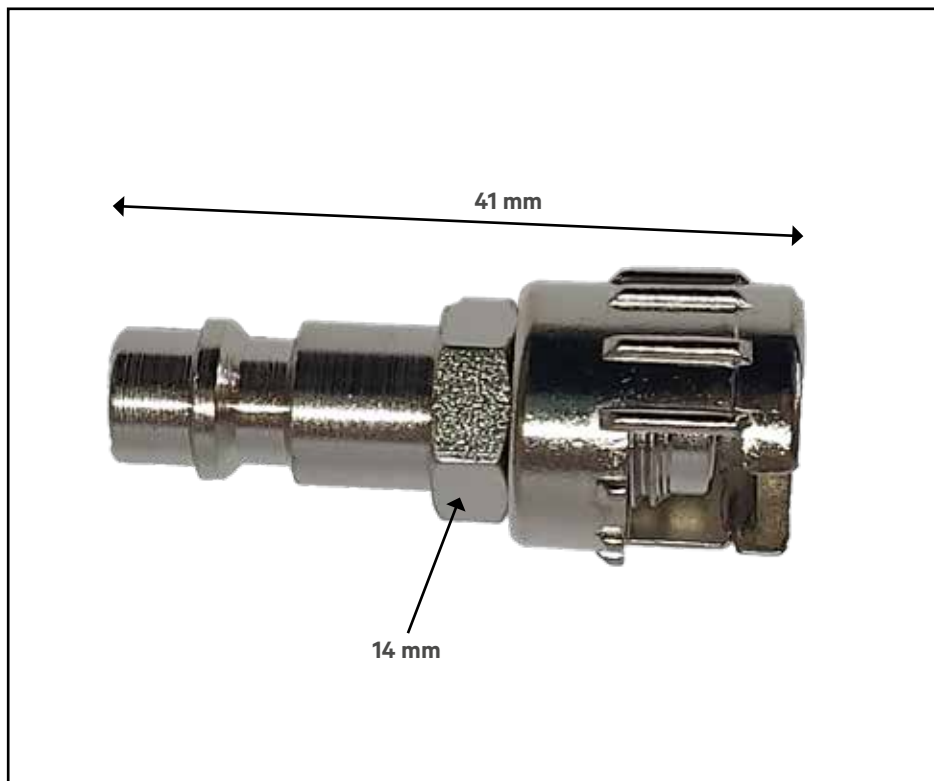
CONNECTIONS

IT915
HS CODE: 40091002

**Attacco rapido dado
fresato**

**Quick coupling with
milled nut**

**Raccord rapide avec
écrou fraisé**



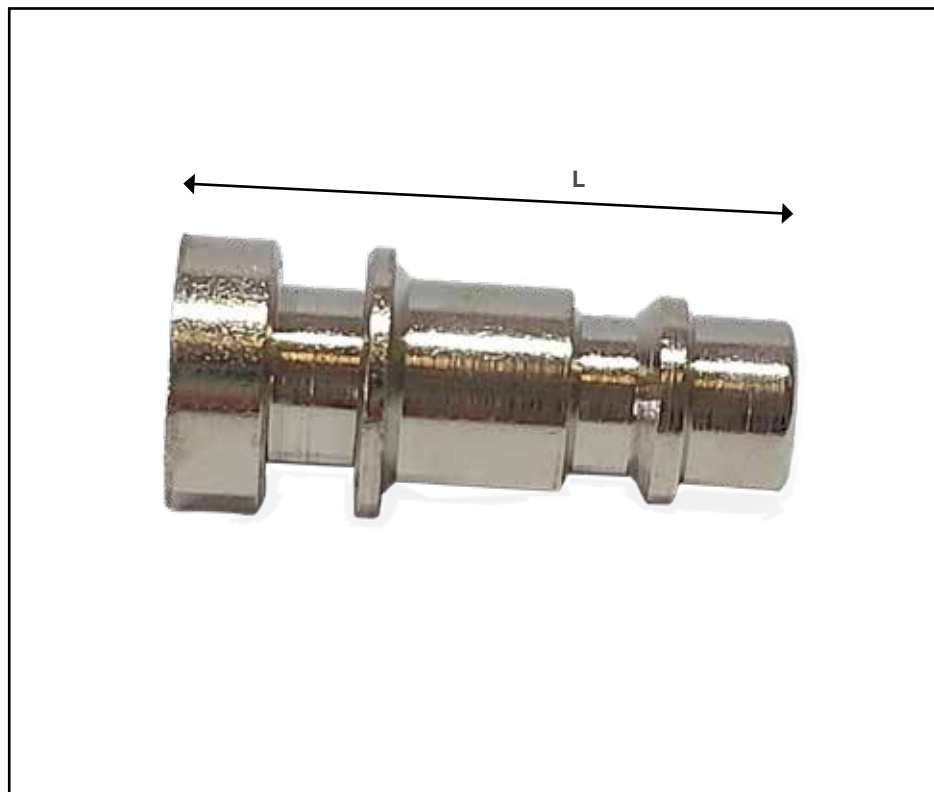
ART	CODE	EAN	X-BPS	PCS X PACK	PACK TYPE	KG	EURO
IT915	A000YD0100001	8055773340312	1/4"	20	MULTIBOX	0,03	

IT920
HS CODE: 40091002

**Innesto rapido
attacco a baionetta**

**Quick coupling
bayonet connection**

**Raccord rapide à
baïonnette**



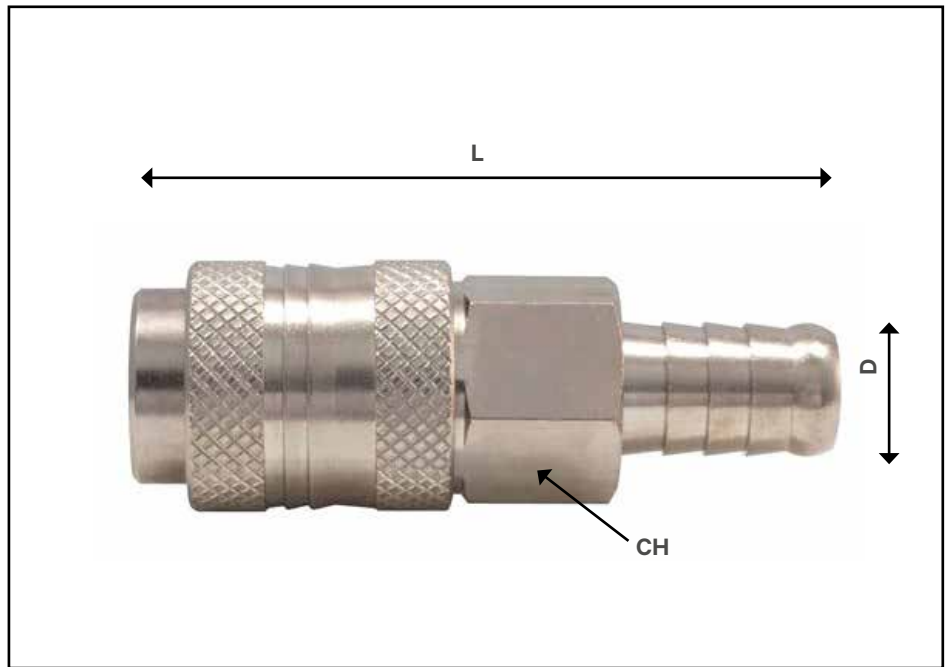
ART	CODE	EAN	X-BPS	L	PCS X PACK	PACK TYPE	KG	EURO
IT920	A000YD0200001	8055773340329	1/4"	35	20	MULTIBOX	0,025	

IT925
IT926
IT927
HS CODE: 40091002

Rubinetto rapido universale con attacco resca per tubo

Universal quick coupling for hose

Robinet rapide universel avec raccord de tuyau



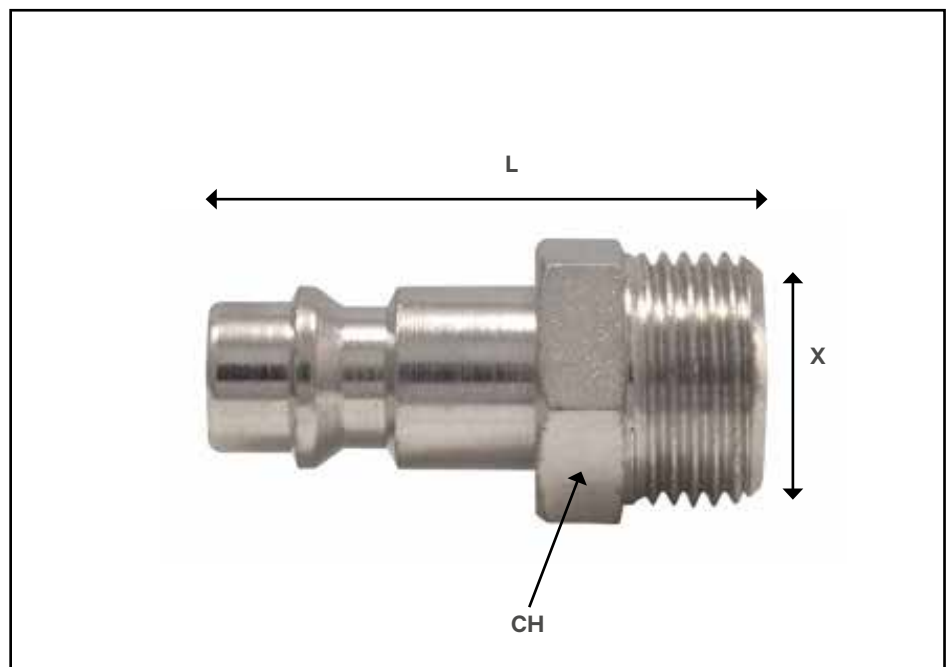
ART	CODE	EAN	CH	L	D	PCS X PACK	PACK TYPE	KG	EURO
IT925	A000YD1000001	8055773344150	19	62	6,5	15	MULTIBOX		
IT926	A000YD1010001	8055773344167	19	64,5	8,5	15	MULTIBOX		
IT927	A000YD1020001	8055773344174	19	64,5	10,5	15	MULTIBOX		

IT930
IT931
IT932
HS CODE: 40091002

Innesto rapido con raccordo filettato Maschio

Male quick coupling

Raccord rapide mâle



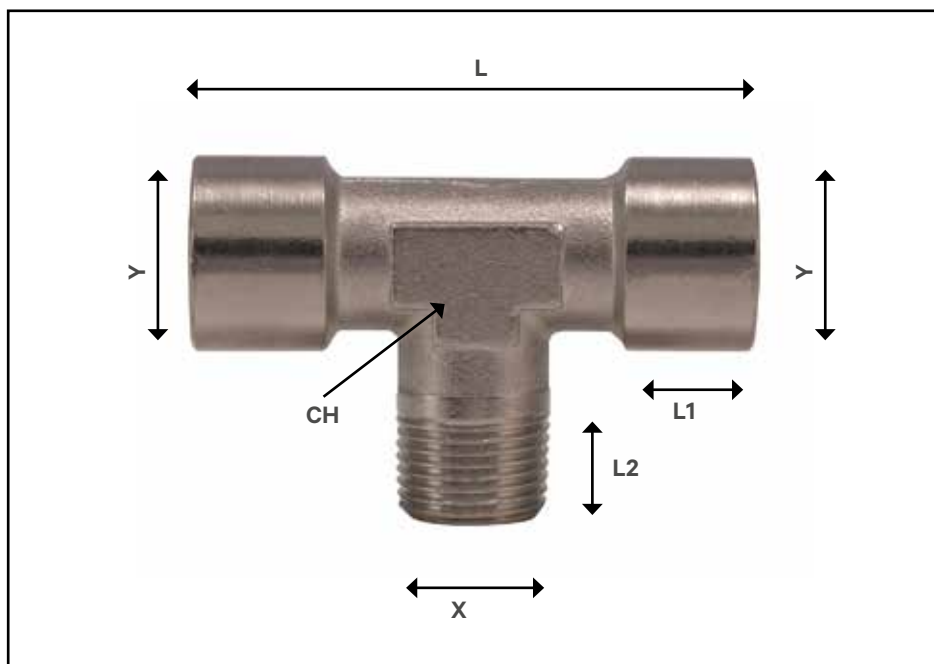
ART	CODE	EAN	CH	L	X-BPS	PCS X PACK	PACK TYPE	KG	EURO
IT930	A000YD0500001	8055773340350	14	35	1/4"	20	MULTIBOX	0,020	
IT931	A000YD0600001	8055773340367	19	37,5	3/8"	20	MULTIBOX	0,025	
IT932	A000YD0700001	8055773340374	24	40	1/2"	20	MULTIBOX	0,030	

IT875
IT876
IT877
HS CODE: 40091002

Raccordo a "T" FMF

T fitting FMF

Raccord a T FMF



ART	CODE	EAN	CH	L	L1	L2	D	X-BPS	Y-BPS	PCS X PACK	PACK TYPE	KG	EURO
IT875	A000YD3100001	8055773340619	13	29	10	9	17	1/4"	1/4"	15	MULTIBOX	0,10	
IT876	A000YD3200001	8055773340626	17	56	11	10	21	3/8"	3/8"	15	MULTIBOX	0,11	
IT877	A000YD3300001	8055773340633	21	70	14	13	26,5	1/2"	1/2"	15	MULTIBOX	0,12	

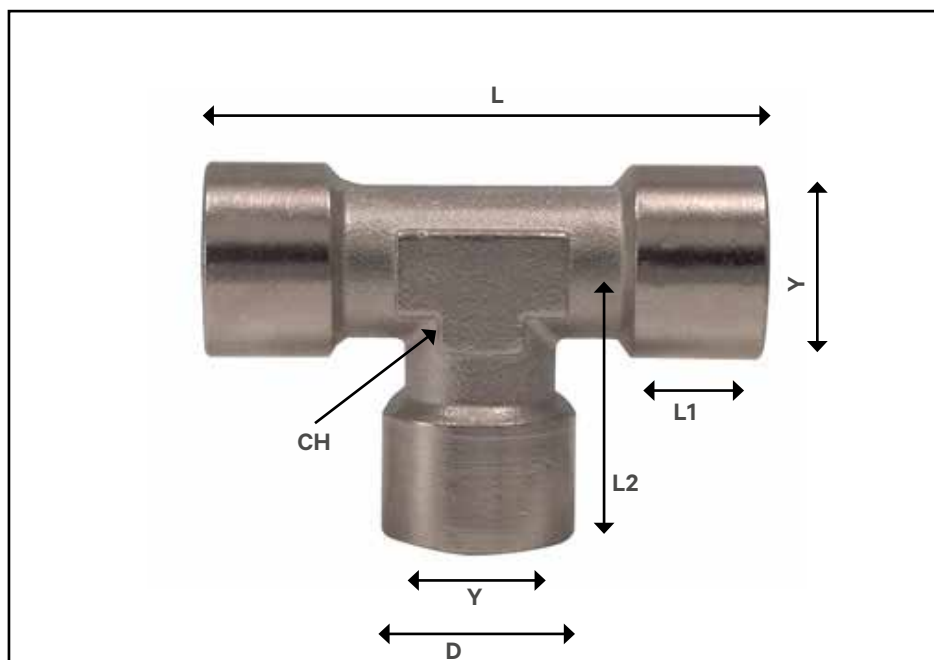


IT880
IT881
IT882
HS CODE: 40091002

Raccordo a "T" FFF

T fitting FFF

Raccord a T FFF



ART	CODE	EAN	CH	L	L1	L2	D	Y-BPS	PCS X PACK	PACK TYPE	KG	EURO
IT880	A000YD3400001	8055773340640	13	29	10	9	17	1/4"	15	MULTIBOX	0,10	
IT881	A000YD3500001	8055773340657	17	56	11	10	21	3/8"	15	MULTIBOX	0,11	
IT8824	A000YD3600001	8055773340664	21	70	14	13	26,5	1/2"	15	MULTIBOX	0,12	

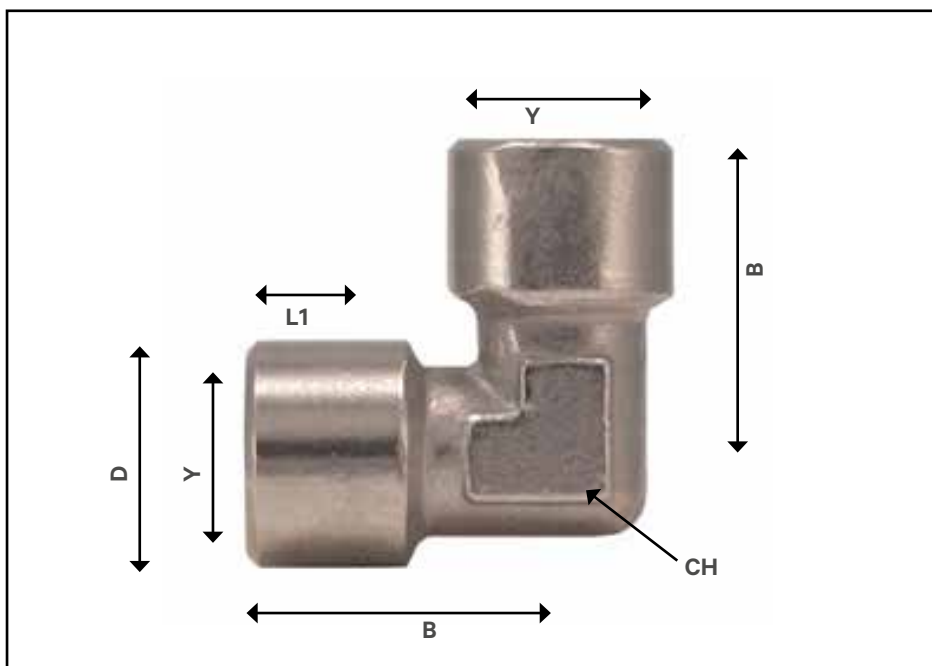


IT885
IT886
IT887
HS CODE: 40091002

Raccordo a "L" FF

L fitting FF

Raccord a L FF



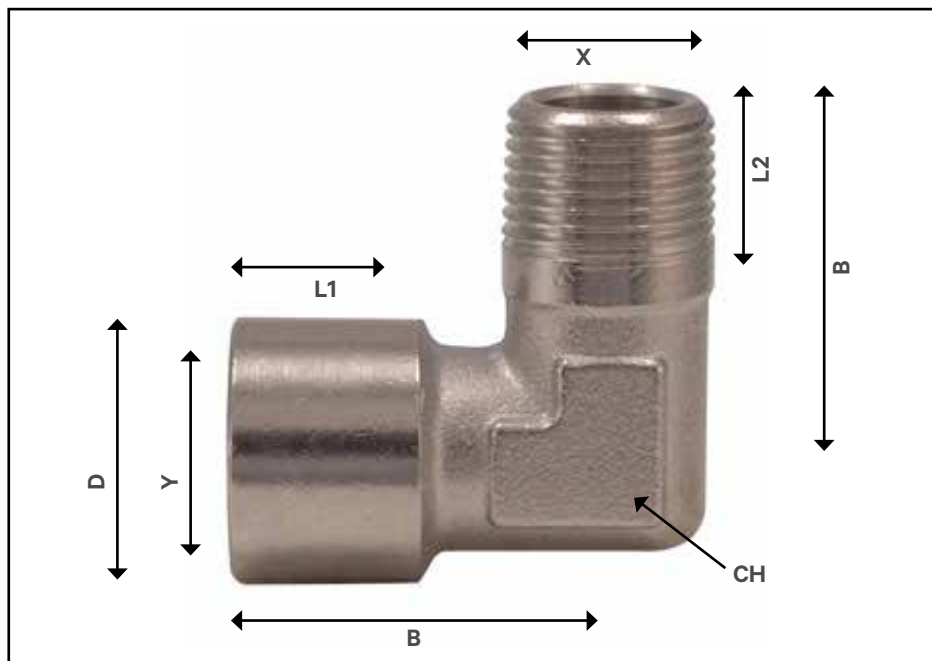
ART	CODE	EAN	CH	L1	D	B	Y-BPS	PCS X PACK	PACK TYPE	KG	EURO
IT885	A000YD3700001	8055773340671	13	10	17	24,5	1/4"	20	MULTIBOX	0,50	
IT886	A000YD3800001	8055773340688	17	11	21	28	3/8"	20	MULTIBOX	0,55	
IT887	A000YD3900001	8055773340695	21	14	26,5	35	1/2"	20	MULTIBOX	0,60	

IT890
IT891
IT892
HS CODE: 40091002

Raccordo a "L" FM

L fitting FM

Raccord a L FM



ART	CODE	EAN	CH	L1	L2	D	B	X-BPS	Y-BPS	PCS X PACK	PACK TYPE	KG	EURO
IT890	A000YD4000001	8055773340701	13	25	25	17	24,5	1/4"	1/4"	20	MULTIBOX	0,50	
IT891	A000YD4100001	8055773340718	17	28	28	21	28	3/8"	3/8"	20	MULTIBOX	0,55	
IT892	A000YD4200001	8055773340725	21	35	35	26,5	35	1/2"	1/2"	20	MULTIBOX	0,60	

CONNECTIONS

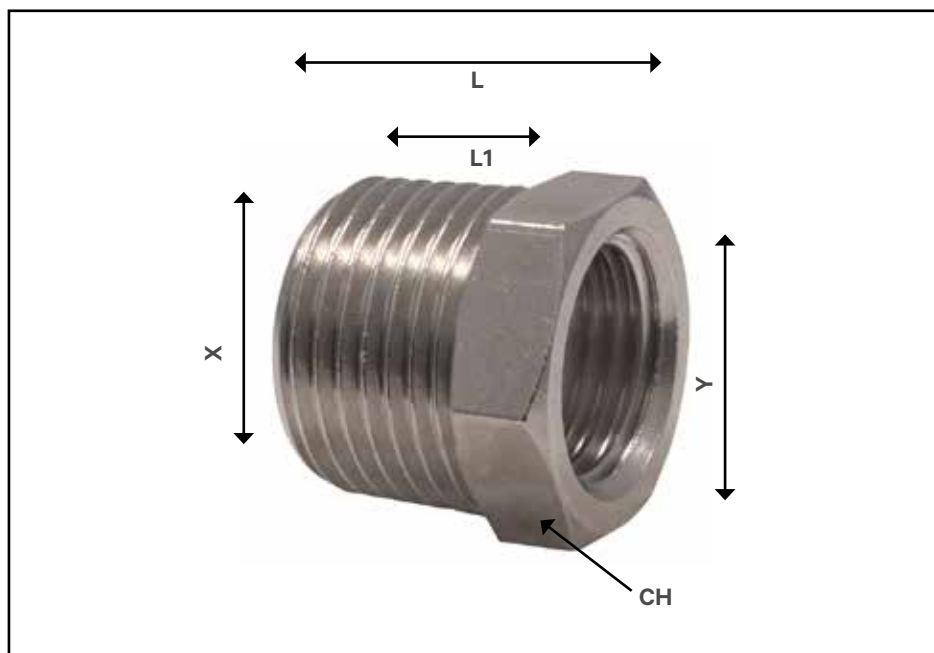
italyco FIRST NEVER FOLLOWS

IT893, IT894
IT895, IT896
IT897, IT898
HS CODE: 40091002

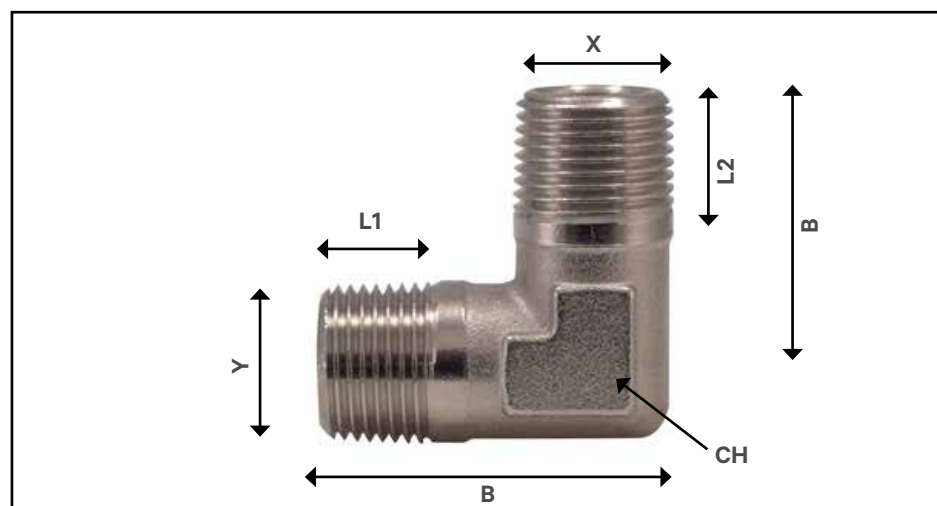
**Riduzione con
filettatura cilindrica**

Reduction with
cylindrical thread

Réduction avec filetage
cylindrique



ART	CODE	EAN	CH	L	L1	X-BPS	Y-BPS	PCS X PACK	PACK TYPE	KG	EURO
IT893	A000YD4600001	8055773340763	22	16	10	3/8"	1/4"	20	MULTIBOX	0,05	
IT894	A000YD4700001	8055773340770	24	16	10	1/2"	1/8"	20	MULTIBOX	0,05	
IT895	A000YD4800001	8055773340787	26	19	12	1/2"	1/4"	20	MULTIBOX	0,05	
IT896	A000YD4900001	8055773340794	26	19	12	1/2"	3/8"	20	MULTIBOX	0,07	
IT897	A000YD5000001	8055773340800	30	18	11	3/4"	3/8"	20	MULTIBOX	0,07	
IT898	A000YD5100001	8055773340817	30	18	11	3/4"	1/2"	20	MULTIBOX	0,07	



IT900
IT901
IT902
HS CODE: 40091002

Raccordo a "L" MM

L fitting MM

Raccord a L MM

ART	CODE	EAN	CH	L1	L2	D	B	X-BPS	Y-BPS	PCS X PACK	PACK TYPE	KG	EURO
IT900	A000YD4300001	8055773340732	13	25	25	17	24,5	1/4"	1/4"	20	MULTIBOX	0,04	
IT901	A000YD4400001	8055773340749	17	28	28	21	28	3/8"	3/8"	20	MULTIBOX	0,04	
IT902	A000YD4500001	8055773340756	21	35	35	26,5	35	1/2"	1/2"	20	MULTIBOX	0,04	

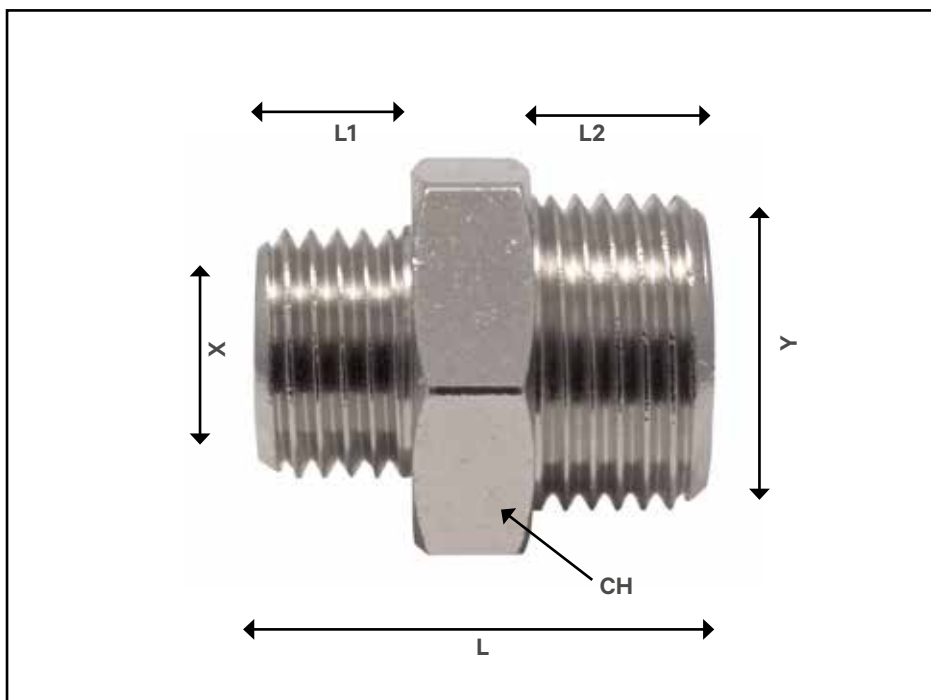


IT905, IT906
IT907, IT908
IT909
HS CODE: 40091002

**Riduzione estesa
con filettatura
cilindrica**

Extended reduction
with cylindrical thread

Réduction prolongée avec
filetage cylindrique



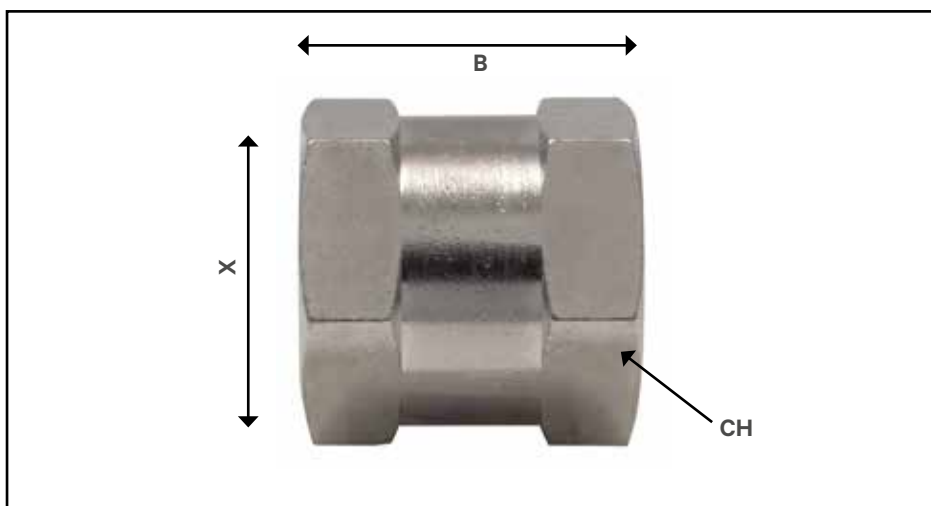
ART	CODE	EAN	CH	L	L1	L2	X-BPS	Y-BPS	PCS X PACK	PACK TYPE	KG	EURO
IT905	A000YD5200001	8055773340824	17	22	8	10	1/4"	1/4"	20	MULTIBOX	0,05	
IT906	A000YD5300001	8055773340831	22	24	8	11	1/4"	3/8"	20	MULTIBOX	0,05	
IT907	A000YD5400001	8055773340848	26	30	12	11	1/4"	1/2"	20	MULTIBOX	0,05	
IT908	A000YD5500001	8055773340855	22	24	10	10	3/8"	3/8"	20	MULTIBOX	0,07	
IT909	A000YD5600001	8055773340862	22	26	10	11	3/8"	1/2"	20	MULTIBOX	0,07	

IT910, IT911
IT912
HS CODE: 40091002

**Manicotto con
filettatura cilindrica FF**

Cylindrical manifold
thread FF

Manchon avec filetage
cylindrique FF



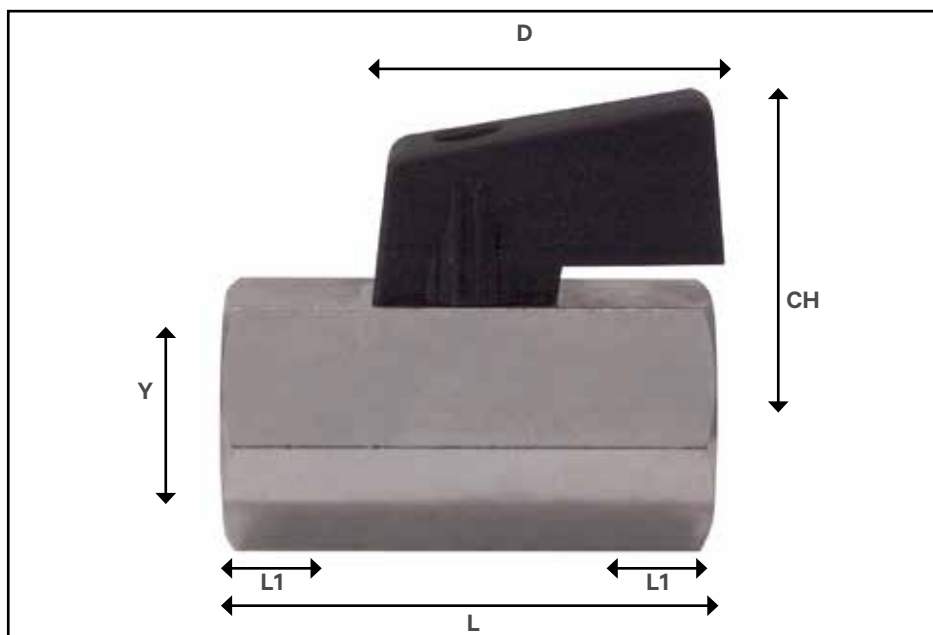
ART	CODE	EAN	CH	X-BPS	PCS X PACK	PACK TYPE	KG	EURO
IT910	A000YD5700001	8055773340879	17	1/4"	20	MULTIBOX	0,03	
IT911	A000YD5800001	8055773340312	22	3/8"	20	MULTIBOX	0,03	
IT912	A000YD5900001	8055773340893	26	1/2"	20	MULTIBOX	0,04	

IT855
IT856
IT857
IT858
HS CODE: 84818081

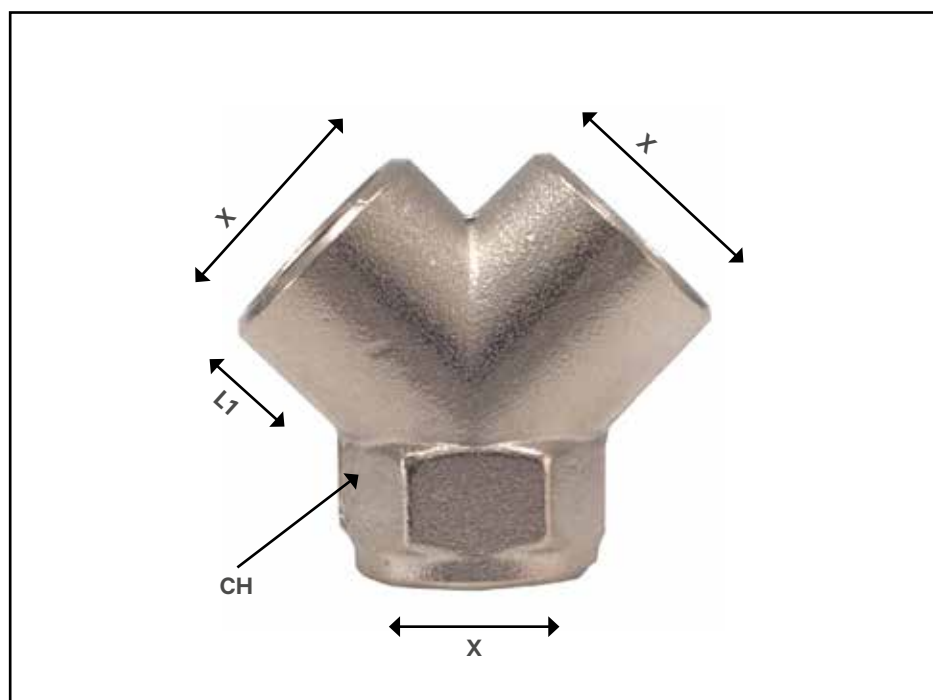
**Rubinetto a sfera
femmina femmina**

FF ball valve

Robinet à tournant sphérique
FF



ART	CODE	EAN	CH	L	L1	D	Y-BPS	PCS X PACK	PACK TYPE	KG	EURO
IT855	A000YD1700001	8055773340473	23	37	10	30	1/4"	5	MULTIBOX	0,14	
IT856	A000YD1800001	8055773340480	24	42	11	35	3/8"	5	MULTIBOX	0,15	
IT857	A000YD1900001	8055773340497	30	50	12	40	1/2"	3	MULTIBOX	0,175	
IT858	A000YD2000001	8055773340503	38	58	15	45	3/4"	3	MULTIBOX	0,20	



IT860
IT861
HS CODE: 40091002

Raccordo Y FFF

FFF Y fitting

Raccord en Y FFF

ART	CODE	EAN	CH	L1	D	X-BPS	PCS X PACK	PACK TYPE	KG	EURO
IT860	A000YD2400001	8055773340541	17	10	17,5	1/4"	20	MULTIBOX	0,08	
IT861	A000YD2500001	8055773340558	20	11	21	3/8"	20	MULTIBOX	0,08	

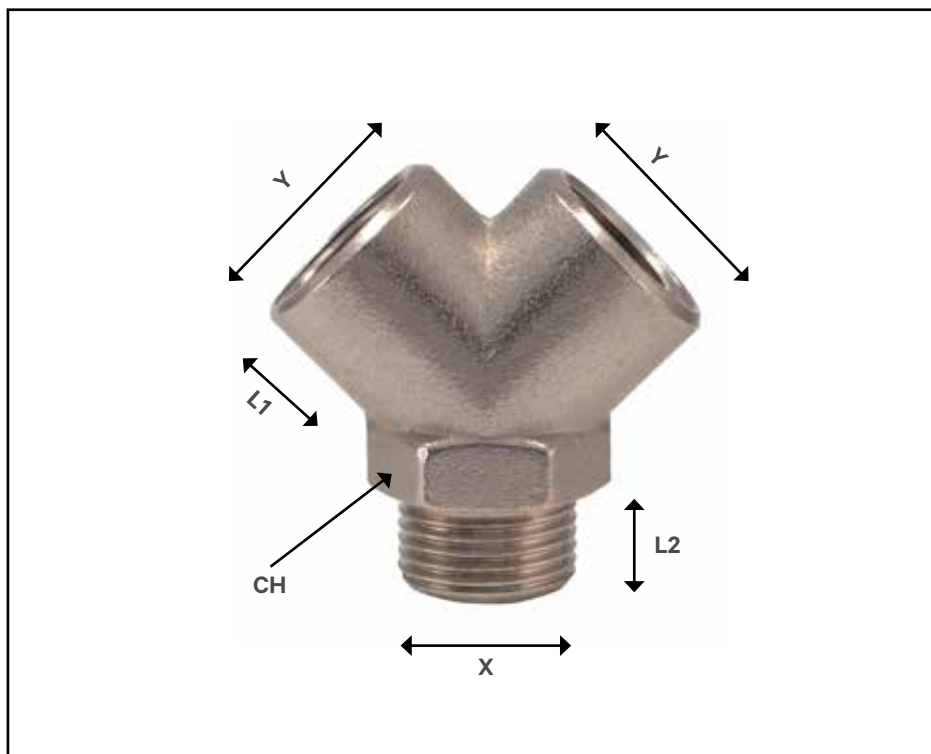


IT865
IT866
HS CODE: 40091002

Raccordo Y FMF

FMF Y fitting

Raccord en Y FMF



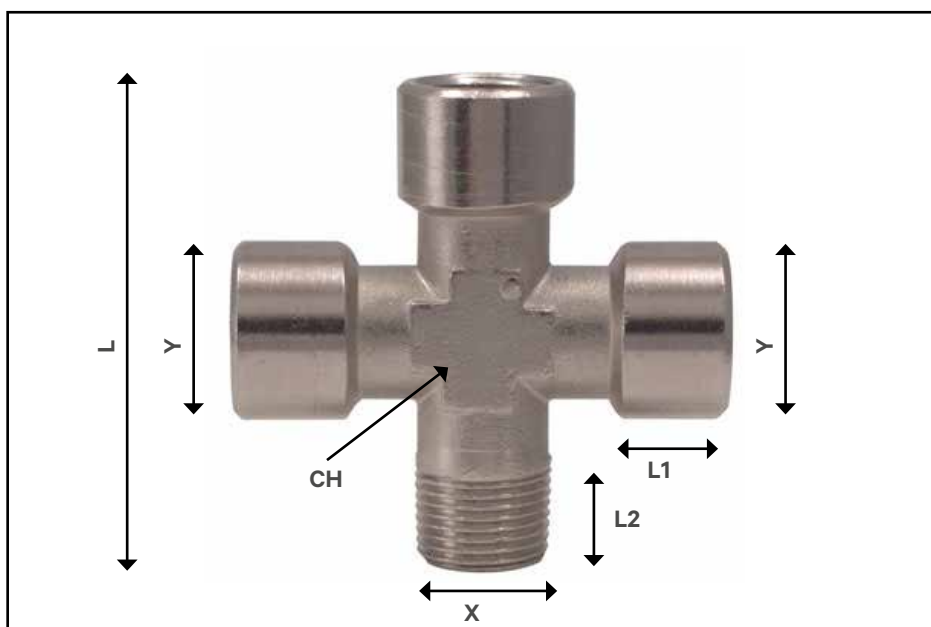
ART	CODE	EAN	CH	L1	L2	D	X-BPS	Y-BPS	PCS X PACK	PACK TYPE	KG	EURO
IT865	A000YD2600001	8055773340565	13	10	10	17,5	1/4"	1/4"	20	MULTIBOX	0,08	
IT866	A000YD2700001	8055773340572	17	11	11	21	3/8"	3/8"	20	MULTIBOX	0,08	

IT870
IT871
IT872
HS CODE: 40091002

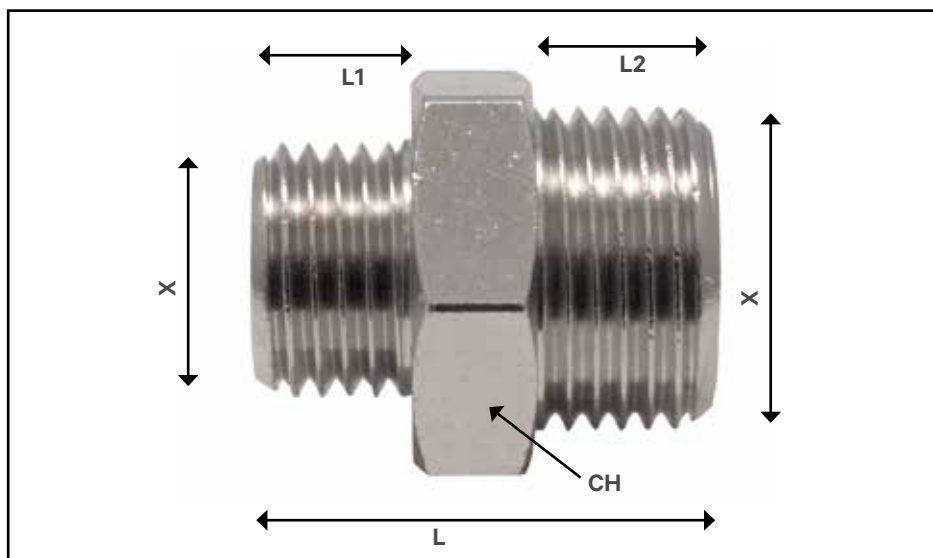
Raccordo a croce MFFF

Cross fitting MFFF

Raccord a Croix MFFF



ART	CODE	EAN	CH	L	L1	L2	D	X-BPS	Y-BPS	PCS X PACK	PACK TYPE	KG	EURO
IT870	A000YD2800001	8055773340589	13	49	10	9	17	1/4"	1/4"	15	MULTIBOX	0,12	
IT871	A000YD2900001	8055773340596	17	56	11	10	21	3/8"	3/8"	15	MULTIBOX	0,13	
IT872	A000YD3000001	8055773340602	21	67	14	13	26,5	1/2"	1/2"	15	MULTIBOX	0,14	



IT940
IT941
IT942
IT943
IT944
IT945
IT946

HS CODE: 40091002

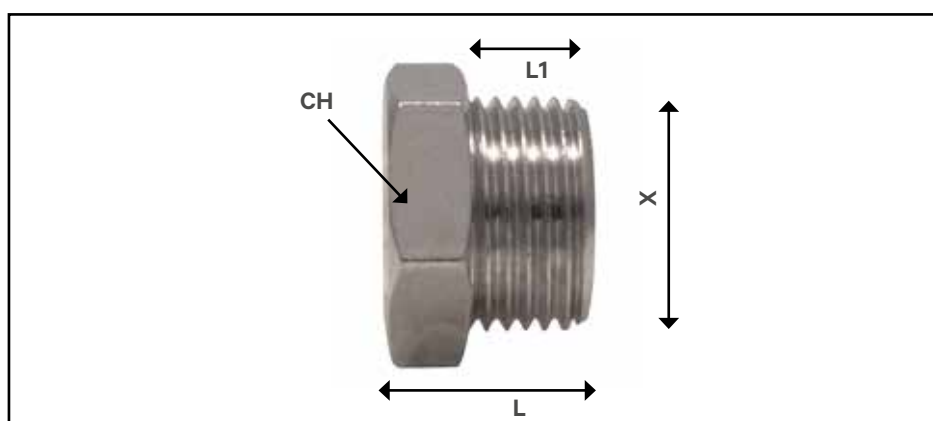
Nipplo con filettatura cilindrica MM

Nipple with cylindrical thread MM

Mamelon avec filetage cylindrique MM

ART	CODE	EAN	CH	L	L1	L2	X-BPS	PCS X PACK	PACK TYPE	KG	EURO
IT940	A000YD6000001	8055773340909	17	21	8	8	x1/4"	20	MULTIBOX	0,03	
IT941	A000YD6100001	8055773340916	20	24	8	10	x3/8"	20	MULTIBOX	0,03	
IT942	A000YD6200001	8055773340923	24	26	8	10	x1/2"	20	MULTIBOX	0,03	
IT943	A000YD6300001	8055773340930	20	26	10	10	x3/8"	20	MULTIBOX	0,03	
IT944	A000YD6400001	8055773340947	24	28	10	12	x1/2"	20	MULTIBOX	0,04	
IT945	A000YD6500001	8055773340954	24	30	12	12	x1/2"	20	MULTIBOX	0,04	
IT946	A000YD6500001	8055773340954	24	30	12	12	x3/4"	20	MULTIBOX	0,05	

MULTIBOX



IT 950, IT 951
IT 952, IT 953
IT 954, IT 955

HS CODE: 40091002

Tappo con filettatura cilindrica M

Cap with cylindrical thread M

Bouchon avec filetage cylindrique M

ART	CODE	EAN	CH	L	L1	X-BPS	PCS X PACK	PACK TYPE	KG	EURO
IT950	A000YD6700001	8055773340978	14	11	6	1/8"	20	MULTIBOX	0,02	
IT951	A000YD6800001	8055773340985	17	13	8	1/4"	20	MULTIBOX	0,02	
IT952	A000YD6900001	8055773340992	19	15	10	3/8"	20	MULTIBOX	0,02	
IT953	A000YD7000001	8055773341005	24	16	10	1/2"	15	MULTIBOX	0,03	
IT954	A000YD7100001	8055773341012	30	17	11	3/4"	15	MULTIBOX	0,03	
IT955	A000YD7200001	8055773341029	38	19	13		15	MULTIBOX	0,03	

MULTIBOX

